

# GENWEC<sup>®</sup>

WASHROOM EQUIPMENT & COMP.

CATÁLOGO 2018 CATALOGUE 2018



**GENWEC WASHROOM, S.L.**  
Genebre Group  
Avinguda Joan Carles I, 46 - 48  
08908 L'Hospitalet de Llobregat, Barcelona (Spain)

Almacén / Warehouse  
Carrer de la Bothànica, 168 - 170  
08908 L'Hospitalet de Llobregat, Barcelona (Spain)  
Telf: +34 93 318 31 13

Horario Comercial / Business Hours  
8:30h - 13:30h / 15:00h - 18:00h

Genwec España / Genwec Spain  
[www.genwec.com](http://www.genwec.com)  
[comercial@genwec.com](mailto:comercial@genwec.com)  
Tel: +34 93 601 80 40  
Fax: +34 93 601 80 41

Genwec Exportación / Genwec Export  
[www.genwec.com/export@genwec.com](http://www.genwec.com/export@genwec.com)

Administración / Accounting  
+34 93 298 80 02





**Empresa** *Company*

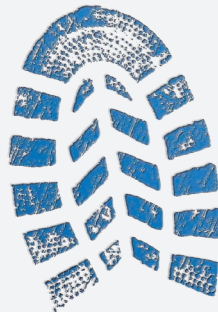
# GENWEC

**Equipamientos de baño y accesorios para colectividades.**

*Public washroom equipment and accessories.*

**Soluciones para baño dirigidas al arquitecto, diseñador, promotor y cliente final.**

*Bathroom solutions for architects, designers, building contractors and end users.*



**GENWEC** diseña, desarrolla y comercializa una amplia gama de productos en el sector de equipamientos de baño para colectividades, en acero inoxidable y otros materiales, combinando calidad/durabilidad con las tendencias más actuales que demanda el mercado y aporta soluciones integrales para la higiene y el confort de los usuarios, cumpliendo rigurosamente los criterios de homologación y control.

En GENWEC estamos comprometidos en continuar un paso adelante, creando soluciones innovadoras para satisfacer las necesidades del mercado, gracias a nuestra experiencia en el mundo de las colectividades.

*GENWEC designs, manufactures and distributes a wide range of products in the public washroom equipment sector, in stainless steel and other materials, combining quality and durability with the most current trends that the market demands. This results in complete solutions for the hygiene and comfort of the users, while strictly complying with the current certification standards.*

*At GENWEC, we are committed to continuing to move forward, creating innovative solutions to meet the needs of the market, thanks to our experience in facilities.*

An aerial, top-down view of a large, diverse crowd of people scattered across a white surface. The people are seen from above, showing various clothing colors and postures, creating a sense of a busy, multi-cultural gathering.

**Presentación Grupo** *Presentation Group*

# **THE GENEBRE GROUP**

**El éxito a través de la diversificación de productos, mercados y clientes.**

*Success through the diversification of products, markets and customers.*



**GRUPO GENE BRE**, es una empresa líder en el diseño, producción y comercialización de válvulas y accesorios para el control de fluidos y grifería. Con más de 35 años de experiencia en el mercado, cuenta con un equipo altamente cualificado de más de 180 personas con filiales en Europa, América y Asia, y con ventas en 110 países de todo el mundo.

**GENWEC by GENE BRE**  
**GENWEC** tiene el gen del **GRUPO GENE BRE**.  
Toda la larga experiencia profesional del **GRUPO GENE BRE** contribuye al éxito de esta nueva empresa. Nuestra familia está creciendo y la variedad de los servicios para usted también.

*In GENE BRE GROUP is a leading company in the design, production and commercialization of valves and accessories for fluid control and taps, in the construction as well as in the industrial sectors. GENE BRE has over 35 years of experience in the market. It has a highly qualified team of more than 180 people with subsidiaries in Europe, the Americas and Asia, with sales in 110 countries around the world.*

*GENWEC by GENE BRE  
GENWEC has the gene of the GENE BRE GROUP.  
All of the GENE BRE GROUP's long professional experience contributes to the success of this new company. Our family is growing and the variety of services for you as well.*





Medio ambiente *Environment*

# TECNOLOGÍA DE VANGUARDIA CON CORAZÓN

*LEADING EDGE TECHNOLOGY  
FROM THE HEART*

La **calidad**, el **compromiso** con la sociedad y el **cuidado medioambiental** está presente en toda nuestra cadena de valor. Ésta nos permite crear conceptos innovadores que generen un impacto positivo en el medio ambiente y a la vez satisfacen las necesidades de los clientes en **funcionalidad, confort y diseño**.

Un ejemplo de nuestro compromiso con el entorno es la producción de secamanos altamente eficientes, proporcionando un ahorro energético y disminuyendo la huella medioambiental.

Nuestro sistema de control de la calidad está certificado de acuerdo a la norma **UNE-EN-ISO 9001**, por parte del prestigioso organismo certificador Independent European Certification Ltd. y revisado anualmente. Además para nuestros modelos de secamanos disponemos de certificaciones acordes a las mayores exigencias requeridas por el mercado.

*Quality, commitment to society and environmental awareness is present in our entire value chain. This vision, allows us to create innovative concepts that generate a positive impact on the environment and at the same time satisfy the clients' needs for functionality, comfort and design.*

*An example of our commitment to the environment is the production of highly efficient hand dryers, providing energy savings and reducing the environmental footprint.*

*Our quality management system is certified according to the UNE-EN-ISO 9001 standard, by the prestigious Independent European Certification Ltd. and reviewed annually. In addition to our models of dryers, we have certifications according to the market requirements.*





**Oficinas**

*Spain, Argentina, Brazil, México*

# **TRATO PERSONAL CON** *PERSONAL TREATMENT W*

**GENWEC** apuesta por la internacionaliza

*Genwec is committed to internati*

Tenemos 7 oficinas en 3 continentes.  
Contamos con nuestros responsables de ventas en 22 países.



*s Offices*

*co, Uruguay, Asia, Hong Kong.*

# **MENTALIDAD GLOBAL**

## *WITH A GLOBAL MENTALITY*

**ción adaptándose a cualquier necesidad.**

*onalization, adapting to any need.*

*We have 7 offices on 3 continents.  
We count on sales representatives in 22 countries.*



**Secamanos**  
*Hand dryers*

GW01

P. 24 - 47



**Secadores de pelo**  
*Hair dryers*

GW02

P. 48 - 55



**Dispensadores de papel**  
*Paper dispensers*

GW03

P. 56 - 69



**Dosificadores de jabón**  
*Soap dispensers*

GW04

P. 70 - 79



**Accesorios de baño**  
*Washroom accessories*

GW05

P. 80 - 95



**Papeleras**  
*Wastepaper bins*

GW06

P. 96 - 105



**Cambiapañales**  
*Baby changing stations*

GW07

P. 106 - 109



**Sanitarios acero inoxidable**  
*Stainless steel sanitary products*

GW08

P. 110 - 121



**Muebles compactos**  
*Compact furniture*

GW09

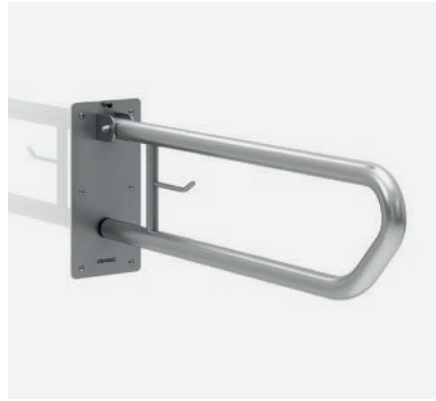
P. 122 - 129h



**Fuentes de agua**  
*Water dispensers*

**GW10**

**P. 130 - 135**



**Ayudas técnicas a la movilidad**  
*Grab bars & technical mobility supports*

**GW11**

**P. 136 - 159**



**Lavaojos y duchas de emergencia**  
*Eye washers & emergency showers*

**GW12**

**P. 160 - 165**



**Grifería temporizada**  
*Timed taps*

**GW13**

**P. 166 - 169**



**Exterminadores de insectos**  
*Insect killers*

**GW14**

**P. 170 - 173**

CÓDIGO - CODE	PAG.	CÓDIGO - CODE	PAG.	CÓDIGO - CODE	PAG.	CÓDIGO - CODE	PAG.	CÓDIGO - CODE	PAG.	CÓDIGO - CODE	PAG.
GW01 02 02 00	28	GW01 20 04 01	35	GW03 11 04 02	63	GW04 14 01 04	79	GW05 12 06 02	90	GW05 38 04 01	94
GW01 02 02 01	28	GW01 20 04 02	35	GW03 12 04 01	64	GW04 15 04 02	76	GW05 13 04 01	86	GW06 01 03 00	98
GW01 02 02 02	29	GW01 22 01 00	43	GW03 13 04 01	64	GW04 20 04 01	73	GW05 13 05 02	83	GW06 01 04 01	98
GW01 02 02 03	29	GW01 22 01 04	43	GW03 14 03 00	65	GW04 20 04 02	73	GW05 13 06 02	90	GW06 01 04 02	99
GW01 03 02 00	30	GW01 25 03 00	40	GW03 14 04 01	65	GW04 21 04 01	73	GW05 14 04 01	86	GW06 02 03 00	98
GW01 03 02 01	30	GW01 25 04 01	40	GW03 14 04 02	65	GW05 01 04 01	84	GW05 14 06 02	90	GW06 02 04 01	98
GW01 03 02 02	31	GW01 25 04 02	40	GW03 15 04 01	66	GW05 01 05 02	82	GW05 15 04 01	86	GW06 02 04 02	99
GW01 03 02 03	31	GW01 26 03 00	41	GW03 16 04 02	66	GW05 01 06 02	88	GW05 15 06 02	90	GW06 03 03 00	98
GW01 03 04 01	30	GW01 26 04 01	41	GW03 17 04 02	66	GW05 02 04 01	84	GW05 16 04 01	86	GW06 03 04 01	98
GW01 03 04 02	31	GW01 26 04 02	41	GW03 18 01 00	68	GW05 02 05 02	82	GW05 16 06 02	90	GW06 03 04 02	99
GW01 04 02 00	32	GW01 28 02 00	26	GW03 18 01 04	68	GW05 02 06 02	88	GW05 17 04 01	86	GW06 04 03 00	98
GW01 04 02 01	32	GW01 28 02 03	27	GW03 19 01 00	68	GW05 03 04 01	84	GW05 17 06 02	90	GW06 04 04 01	98
GW01 04 02 02	33	GW01 28 04 01	26	GW03 19 01 04	68	GW05 03 05 02	82	GW05 18 04 01	86	GW06 04 04 02	99
GW01 04 02 03	33	GW01 28 04 02	27	GW03 20 01 00	69	GW05 03 06 02	88	GW05 18 06 02	91	GW06 06 04 01	101
GW01 04 03 00	32	GW01 28 90 01	27	GW03 20 01 04	69	GW05 04 04 01	84	GW05 19 04 01	87	GW06 07 04 01	100
GW01 04 04 01	32	GW02 01 01 00	50	GW03 21 01 00	69	GW05 04 05 02	82	GW05 19 06 02	91	GW06 10 04 02	102
GW01 04 04 02	33	GW02 02 01 00	50	GW03 21 01 04	69	GW05 04 06 02	88	GW05 20 04 01	87	GW06 12 02 01	102
GW01 12 02 00	38	GW02 03 01 00	52	GW03 25 04 01	67	GW05 05 04 01	84	GW05 20 06 02	91	GW06 13 04 01	103
GW01 12 02 00V1	38	GW02 03 01 00V1	52	GW03 25 04 02	67	GW05 05 05 02	82	GW05 21 04 01	87	GW06 14 04 01	103
GW01 12 02 02	39	GW02 03 01 03	52	GW04 01 04 01	72	GW05 05 06 02	88	GW05 21 06 02	91	GW06 15 04 01	103
GW01 12 02 04	38	GW02 04 04 02	53	GW04 01 04 02	72	GW05 06 04 01	84	GW05 22 04 01	87	GW06 16 02 01	104
GW01 12 02 04V1	38	GW02 05 01 00	51	GW04 02 04 01	72	GW05 06 05 02	82	GW05 22 06 02	92	GW06 17 02 01	104
GW01 13 01 00	42	GW02 06 03 00	54	GW04 02 04 02	72	GW05 06 06 02	89	GW05 23 04 01	87	GW06 18 02 01	105
GW01 13 01 04	42	GW02 06 04 01	54	GW04 03 04 01	74	GW05 07 04 01	85	GW05 23 06 02	92	GW06 19 04 01	104
GW01 14 01 00	44	GW02 06 04 02	55	GW04 03 04 02	74	GW05 07 05 02	83	GW05 24 04 01	87	GW06 20 01 00	103
GW01 14 01 00V1	44	GW03 01 03 00	58	GW04 04 04 01	74	GW05 07 06 02	88	GW05 24 06 02	93	GW06 24 04 01	100
GW01 14 03 00	44	GW03 02 04 01	59	GW04 04 04 02	74	GW05 08 04 01	85	GW05 25 04 01	85	GW06 27 02 01	105
GW01 14 03 00V1	44	GW03 02 04 02	59	GW04 06 04 01	76	GW05 08 05 02	83	GW05 25 04 02	93	GW07 01 01 00	108
GW01 14 04 01	45	GW03 03 03 00	60	GW04 06 04 02	76	GW05 08 06 02	89	GW05 26 06 02	93	GW07 02 01 00	108
GW01 14 04 01V1	45	GW03 03 04 01	60	GW04 07 03 00	75	GW05 09 04 01	85	GW05 27 04 02	93	GW07 03 04 02	109
GW01 14 04 02	45	GW03 03 04 02	60	GW04 07 04 01	75	GW05 09 05 02	83	GW05 28 04 02	94	GW07 04 04 02	109
GW01 15 01 00	36	GW03 04 03 00	61	GW04 07 04 02	75	GW05 09 06 02	89	GW05 28 06 02	89	GW08 11 04 02	112
GW01 15 01 04	36	GW03 04 04 01	61	GW04 09 04 02	77	GW05 10 04 01	85	GW05 29 04 02	95	GW08 12 04 02	112
GW01 15 01 04V1	36	GW03 04 04 02	61	GW04 10 01 00	77	GW05 10 05 02	83	GW05 30 06 02	95	GW08 13 04 02	112
GW01 18 04 00	37	GW03 05 03 00	62	GW04 11 04 01	77	GW05 10 06 02	89	GW05 31 06 02	95	GW08 14 04 02	112
GW01 18 04 01	37	GW03 05 04 01	62	GW04 12 01 00	78	GW05 11 04 01	85	GW05 32 05 02	95	GW08 15 04 02	113
GW01 19 03 00	34	GW03 05 04 02	62	GW04 12 01 04	78	GW05 11 05 02	83	GW05 33 05 01	95	GW08 16 04 02	113
GW01 19 04 01	34	GW03 08 04 02	63	GW04 13 01 00	78	GW05 11 06 02	89	GW05 34 04 02	92	GW08 17 04 02	112
GW01 19 04 02	34	GW03 09 04 02	63	GW04 13 01 04	78	GW05 12 04 01	85	GW05 35 04 02	92	GW08 18 04 02	112
GW01 20 03 00	35	GW03 10 04 02	63	GW04 14 01 00	79	GW05 12 05 02	83	GW05 36 04 02	94	GW08 19 04 02	112

CÓDIGO - CODE	PAG.	CÓDIGO - CODE	PAG.	CÓDIGO - CODE	PAG.	CÓDIGO - CODE	PAG.	CÓDIGO - CODE	PAG.	CÓDIGO - CODE	PAG.
GW08 20 04 02	112	GW08 68 04 01	121	GW11 04 03 00	139	GW11 17 04 01	146	GW11 48 01 00	156	GW13 09 06 02	169
GW08 21 04 02	113	GW08 69 04 01	121	GW11 04 04 01	139	GW11 17 04 02	146	GW11 49 07 00	157	GW14 01 03 00	172
GW08 22 04 02	113	GW08 70 01 00	118	GW11 04 04 02	139	GW11 18 03 00	146	GW11 50 03 00	157	GW14 02 01 00	172
GW08 23 06 02	113	GW08 73 04 01	120	GW11 05 03 00	139	GW11 18 04 01	146	GW11 51 03 00	157	GW14 03 04 02	172
GW08 24 06 02	113	GW08 74 04 01	120	GW11 05 04 01	139	GW11 18 04 02	146	GW11 52 03 00	157	GW14 04 04 02	172
GW08 25 04 01	114	GW08 75 04 01	120	GW11 05 04 02	139	GW11 20 03 00	147	GW11 53 01 00	158		
GW08 26 04 01	114	GW09 01 04 01	124	GW11 06 03 00	139	GW11 20 04 01	147	GW11 54 06 02	158		
GW08 27 04 01	114	GW09 02 04 01	125	GW11 06 04 01	139	GW11 20 04 02	147	GW11 58 12 00	158		
GW08 28 04 01	115	GW09 03 04 01	127	GW11 06 04 02	139	GW11 21 03 00	147	GW11 59 12 00	158		
GW08 29 04 01	115	GW09 07 04 01	124	GW11 07 03 00	140	GW11 21 04 01	147	GW11 60 03 00	140		
GW08 30 04 01	115	GW09 08 04 01	125	GW11 07 04 01	140	GW11 21 04 02	147	GW11 60 04 01	140		
GW08 31 04 01	115	GW09 09 04 01	127	GW11 07 04 02	140	GW11 22 03 00	144	GW11 61 09 00	153		
GW08 35 04 01	116	GW09 11 04 01	126	GW11 08 03 00	140	GW11 22 04 01	144	GW11 62 09 00	153		
GW08 36 04 01	116	GW09 12 04 01	126	GW11 08 04 01	140	GW11 22 04 02	144	GW11 63 01 00	155		
GW08 37 04 01	116	GW09 13 04 01	126	GW11 08 04 02	140	GW11 23 03 00	148	GW11 64 01 00	156		
GW08 38 04 01	116	GW09 14 04 01	128	GW11 09 03 00	141	GW11 23 04 01	148	GW11 65 06 02	158		
GW08 39 04 01	116	GW09 15 04 01	128	GW11 09 04 01	141	GW11 23 11 00	148	GW11 66 02 00	159		
GW08 40 04 01	116	GW10 01 04 02	132	GW11 09 04 02	141	GW11 24 03 00	149	GW11 69 04 01	159		
GW08 41 04 01	116	GW10 01 90 00	134	GW11 10 03 00	142	GW11 24 04 01	149	GW11 70 04 01	159		
GW08 42 04 01	116	GW10 01 90 01	134	GW11 10 04 01	142	GW11 24 11 00	149	GW11 71 04 01	159		
GW08 43 04 01	116	GW10 02 04 02	132	GW11 10 04 02	142	GW11 26 09 00	151	GW11 72 04 01	159		
GW08 44 04 01	116	GW10 03 04 02	133	GW11 11 03 00	142	GW11 27 09 00	151	GW11 73 01 00	155		
GW08 45 04 01	116	GW10 04 04 02	134	GW11 11 04 01	142	GW11 28 09 00	151	GW12 01 03 05	162		
GW08 46 04 01	116	GW10 06 01 00	135	GW11 11 04 02	142	GW11 29 09 00	151	GW12 01 04 05	162		
GW08 47 04 01	115	GW10 07 01 00	135	GW11 12 03 00	143	GW11 30 09 00	150	GW12 02 03 05	162		
GW08 48 04 01	115	GW10 08 01 00	135	GW11 12 04 01	143	GW11 31 09 00	150	GW12 02 04 05	162		
GW08 49 04 01	115	GW10 14 04 02	133	GW11 12 04 02	143	GW11 32 09 00	151	GW12 03 03 05	163		
GW08 50 04 01	117	GW11 01 03 00	139	GW11 13 03 00	143	GW11 33 09 00	152	GW12 03 04 05	163		
GW08 51 04 01	117	GW11 01 04 01	139	GW11 13 04 01	143	GW11 34 09 00	152	GW12 04 03 05	164		
GW08 52 04 01	117	GW11 01 04 02	139	GW11 13 04 02	143	GW11 35 09 00	152	GW12 04 04 05	164		
GW08 55 04 01	118	GW11 01 90 00	138	GW11 14 03 00	144	GW11 36 09 00	152	GW12 05 03 05	164		
GW08 56 04 01	118	GW11 01 90 01	138	GW11 14 04 01	144	GW11 37 09 00	154	GW12 05 04 05	164		
GW08 57 04 01	118	GW11 01 90 02	138	GW11 14 04 02	144	GW11 38 09 00	153	GW13 01 06 02	168		
GW08 58 04 01	119	GW11 01 90 03	138	GW11 15 03 00	145	GW11 39 09 00	153	GW13 02 06 02	168		
GW08 59 04 01	119	GW11 02 03 00	139	GW11 15 04 01	145	GW11 40 09 00	154	GW13 03 06 02	168		
GW08 60 04 01	119	GW11 02 04 01	139	GW11 15 04 02	145	GW11 41 09 00	154	GW13 04 06 02	168		
GW08 61 04 01	119	GW11 02 04 02	139	GW11 16 03 00	145	GW11 42 07 00	155	GW13 05 06 02	169		
GW08 62 04 01	120	GW11 03 03 00	139	GW11 16 04 01	145	GW11 43 07 00	155	GW13 06 06 02	169		
GW08 63 04 01	120	GW11 03 04 01	139	GW11 16 04 02	145	GW11 44 07 00	155	GW13 07 06 02	169		
GW08 64 04 01	120	GW11 03 04 02	139	GW11 17 03 00	146	GW11 47 01 00	155	GW13 08 06 02	169		

Baño Aeropuerto *Airport bathroom*

# ESPACIOS PARA COMPARTIR

## *SPACES TO SHARE*



elevenA

### Arrivals

Time	To	Flight no.	Gate	Remarks
09:10	TOKYO	EK3946	A1	ON TIME
10:50	ROME	LK3881	C3	ON TIME
11:45	MOSCOW	GB4638	C1	CANCELLED
12:45	LONDON	KV4319	A1	DELAYED
12:50	LOS ANGELES	FX5610	C4	DELAYED
12:55	SYDNEY	LE1408	B3	CANCELLED
13:00	BARCELONA	RD9032	B1	ON TIME
13:10	OSLO	FB4638	A2	ON TIME
13:35	NEW YORK	BN4267	A1	ON TIME
14:10	PARIS	GF3211	C1	DELAYED
14:50	HONOLULU	XY3100	A2	ON TIME
14:55	TORONTO	KF2317	A5	CANCELLED
15:00	ZURICH	TB7252	A4	DELAYED
15:30	HONG KONG	FK3323	B4	ON TIME
15:35	FRANKFURT	BF1434	B3	DELAYED
15:40	MIAMI	ER2753	A1	ON TIME





### ✉ Departures

Time	To	Flight no.	Gate	Remarks
09:35	NEW YORK	DF2753	A1	ON TIME
09:40	FRANKFURT	LN3211	C3	ON TIME
09:45	TORONTO	GT4638	A2	ON TIME
09:45	LONDON	KV3323	B4	DELAYED
09:50	MIAMI	LX3100	A2	DELAYED
09:55	SYDNEY	LV2317	A5	ON TIME
10:00	PARIS	BD9032	B1	ON TIME
10:00	OSLO	FB5610	C4	ON TIME
10:05	HONG KONG	EN4267	A4	DELAYED
10:10	BARCELONA	GC5433	C1	ON TIME
10:15	TOKYO	LY4488	B2	ON TIME
10:20	MOSCOW	KF3280	B4	CANCELLED
10:25	ZURICH	TK7252	A4	ON TIME
10:30	LOS ANGELES	TK3946	A1	ON TIME
10:35	ROME	RZ1408	B3	DELAYED
10:40	HONOLULU	EK4319	A1	ON TIME





## Habitación de hotel *Hotel room*





**Baño adaptado** *Adapted bathroom*



**Baño de gimnasio** *Gym bathroom*





**Secamanos**  
*Hand dryers*





**CAMBIAPAÑALES**  
BABY CHANGING STATIONS

**EXTERMINADORES DE INSECTOS**  
INSECT KILLERS

**PAPELERAS**  
WASTE PAPER BINS

**GRIFERIA TEMPORIZADA**  
TIMED TAPS

**ACCESORIOS DE BAÑO**  
WASHROOM ACCESSORIES

**LAVAJOS Y DUCHAS**  
EYE WASHERS & SHOWERS

**DOSIFICADORES DE JABON**  
SOAP DISPENSERS

**AYUDAS A LA MOVILIDAD**  
MOBILITY SUPPORT

**DISPENSADORES DE PAPEL**  
PAPER DISPENSER

**FUENTES DE AGUA**  
WATER DISPENSERS

**SECADORES DE PELO**  
HAIR DRYERS

**MUEBLES COMPACTOS**  
COMPACT FURNITURE

**SECAMANOS**  
HAND DRYERS

**SANITARIOS**  
SANITARY PRODUCTS

Verdedri



**SECAMANOS VERDEDRI**  
VERDEDRI HAND DRYER



**Ref. GW01 28 02 00**  
3 mm aluminio / 3 mm aluminium  
Epoxi blanco / White epoxi  
Medidas / Measurements 339 x 295 x 100 mm

**SECAMANOS VERDEDRI**  
VERDEDRI HAND DRYER



**Ref. GW01 28 04 01**  
2 mm acero inoxidable / 2 mm stainless steel  
Satinado / Brushed chrome  
Medidas / Measurements 339 x 295 x 100 mm

**CARACTERÍSTICAS / FEATURES**

- Automático / Sensor operated
- Energéticamente eficiente / Highly energy efficient
- Recomendado en áreas de tráfico alto / Recommended on high traffic zones
- Ajustable 2 velocidades / 2 speed motor settings
- Filtro HEPA incluido / HEPA Filtration included
- Adaptado a normativa ADA / ADA compliant
- Tratamiento antibacteriano STERITOUCH / STERITOUCH anti-bacterial treatment
- Escobillas de larga duración / Longest brush life
- Tornillería antivandálica / Vandal-proof screws

## Verdedri



**SECAMANOS VERDEDRI**  
VERDEDRI HAND DRYER



Ref. GW01 28 04 02

2mm acero inoxidable / 2 mm stainless steel

Brillante / Polished chrome

Medidas / Measurements 339 x 295 x 100 mm



**SECAMANOS VERDEDRI**  
VERDEDRI HAND DRYER



Ref. GW01 28 02 03

3mm aluminio / 3 mm aluminium

Negro / Black

Medidas / Measurements 339 x 295 x 100 mm



**FILTRO HEPA DE REEMPLAZO**  
REPLACEMENT HEPA FILTER

Ref. GW01 28 90 01

Para todas las unidades VERDEDri

For all VERDEDri units

### CARACTERÍSTICAS TÉCNICAS / TECHNICAL FEATURES

Voltaje / Voltage	110 - 240 V
Frecuencia / Frequency	50 / 60 Hz
Velocidad aire / Air speed	275 - 360 Km/h
Caudal aire / Airflow	83 - 109 m3/h
Temperatura aire / Air temperature	55°C
Potencia total / Total power	675 / 950 W
Potencia resistencia / Power of heating element	475 W
Potencia motor / Motor power	200 / 475 W
Consumo / Power consumption	4,1 - 8,3 A

Aislamiento eléctrico / Electrical insulation	Class I
Protección / Protection level	IP24
Peso / Weight	6,1 Kg
Tiempo de secado / Drying time	12"
Sonoridad a 2 m / Sound level at 2 m	73-75 dB
rpm / rpm	26.000 - 31.000
Desconexión anti vandálica / Automatic shut-off	30"
Garantía (años) / Warranty (years)	5

SECAMANOS  
HAND DRYERS

SANITARIOS  
SANITARY PRODUCTS

SECADORES DE PELO  
HAIR DRYERS

MUEBLES COMPACTOS  
COMPACT FURNITURE

DISPENSADORES DE PAPEL  
PAPER DISPENSERS

FUENTES DE AGUA  
WATER DISPENSERS

DOSIFICADORES DE JABÓN  
SOAP DISPENSERS

AYUDA A LA MOVILIDAD  
MOBILITY SUPPORT

ACCESORIOS DE BAÑO  
WASHROOM ACCESSORIES

LAVAJOS Y DUCHAS  
EYE WASHERS & SHOWERS

PAPELERAS  
WASTE PAPER BINS

GRIFERÍA TEMPORIZADA  
TIMED TAPS

CAMBIAPANALES  
BABY CHANGING STATIONS

EXTERMINADORES DE INSECTOS  
INSECT KILLERS

SMARTdri Plus



**SECAMANOS SMARTDRI PLUS**  
SMARTDRI PLUS HAND DRYER



**Ref. GW01 02 02 00**  
3 mm aluminio inyectado / 3 mm injected aluminium  
Epoxi blanco / White epoxy  
Medidas / Measurements 319 x 236 x 192 mm



**SECAMANOS SMARTDRI PLUS**  
SMARTDRI PLUS HAND DRYER



**Ref. GW01 02 02 01**  
3 mm aluminio inyectado / 3 mm injected aluminium  
Satinado / Brushed chrome  
Medidas / Measurements 319 x 236 x 192 mm

**CARACTERÍSTICAS / FEATURES**

- Automático / Sensor operated
- Altamente eficiente / Highly energy efficient
- Secado muy rápido / Fast drying time
- 3 modalidades potencia / 3 speed motor settings
- Resistencia ON / OFF / ON / OFF heating element
- Tratamiento antibacteriano STERITOUCH / STERITOUCH anti-bacterial treatment
- Escobillas de larga duración / Longest brush life
- Filtro incluido / Filter included
- Tornillería antivandálica / Vandal-proof screws

## SMARTdri Plus



### SECAMANOS SMARTDRI PLUS SMARTDRI PLUS HAND DRYER



Ref. GW01 02 02 02

3 mm aluminio inyectado / 3 mm injected aluminium

Brillante / Polished chrome

Medidas / Measurements 319 x 236 x 192 mm



### SECAMANOS SMARTDRI PLUS SMARTDRI PLUS HAND DRYER



Ref. GW01 02 02 03

3 mm aluminio inyectado / 3 mm injected aluminium

Negro / Black

Medidas / Measurements 319 x 236 x 192 mm

### CARACTERÍSTICAS TÉCNICAS / TECHNICAL FEATURES

Voltaje / Voltage	220 - 240 V
Frecuencia / Frequency	50 / 60 Hz
Velocidad aire / Air speed	200 - 400 Km/h
Caudal aire / Airflow	65 - 130 m3/h
Temperatura aire / Air temperature	53 °C
Potencia total / Total power	400 / 1.200 W
Potencia resistencia / Power of heating element	400 W
Potencia motor / Motor power	400 / 800 W
Consumo / Power consumption	1,7 - 5,2 A

Aislamiento eléctrico / Electrical insulation	Class I
Protección / Protection level	IP24
Peso / Weight	5,1 kg
Tiempo de secado / Drying time	10"
Sonoridad a 2 m / Sound level at 2 m	69 / 77 dB
rpm / rpm	23.400
Desconexión anti vandálica / Automatic shut-off	30"
Garantía (años) / Warranty (years)	5

SECAMANOS  
HAND DRYERS

SANITARIOS  
SANITARY PRODUCTS

SECADORES DE PELO  
HAIR DRYERS

MUEBLES COMPACTOS  
COMPACT FURNITURE

DISPENSADORES DE PAPEL  
PAPER DISPENSERS

FUENTES DE AGUA  
WATER DISPENSERS

DISPENSADORES DE JABÓN  
SOAP DISPENSERS

AYUDA A LA MOVILIDAD  
MOBILITY SUPPORT

ACCESORIOS DE BAÑO  
WASHROOM ACCESSORIES

LAVAJOS Y DUCHAS  
EYE WASHERS & SHOWERS

PAPELERAS  
WASTE PAPER BINS

GRIFERÍA TEMPORIZADA  
TIMED TAPS

CAMBIAPANALES  
BABY CHANGING STATIONS

EXTERMINADORES DE INSECTOS  
INSECT KILLERS

SLIMdri



**SECAMANOS SLIMDRI**  
SLIMDRI HAND DRYER



**Ref. GW01 03 02 00**  
3 mm aluminio inyectado / 3 mm injected aluminium  
Epoxi blanco / White epoxy  
Medidas / Measurements 271 x 290 x 100 mm

**SECAMANOS SLIMDRI**  
SLIMDRI HAND DRYER



**Ref. GW01 03 02 01**  
3 mm aluminio inyectado / 3 mm injected aluminium  
Satinado / Brushed chrome  
Medidas / Measurements 271 x 290 x 100 mm

**Ref. GW01 03 04 01**  
2 mm acero inoxidable / 2 mm stainless steel  
Satinado / Brushed  
Medidas / Measurements 271 x 290 x 100 mm

**CARACTERÍSTICAS / FEATURES**

- Automático / Sensor operated
- Altamente eficiente / Highly energy efficient
- Secado muy rápido / Fast drying time
- Adaptado a normativa ADA / ADA compliant
- Resistencia ON / OFF / ON / OFF heating element
- Tratamiento antibacteriano STERITOUCH / STERITOUCH anti-bacterial treatment
- Diseño moderno y ultracompacto / Ultra compact and Modern design
- Tornillería antivandálica / Vandal-proof screws

## SLIMdri



### SECAMANOS SLIMDRI SLIMDRI HAND DRYER



### SECAMANOS SLIMDRI SLIMDRI HAND DRYER



#### Ref. GW01 03 02 02

3 mm aluminio inyectado / 3 mm injected aluminium

Brillante / Polished chrome

Medidas / Measurements 271 x 290 x 100 mm

#### Ref. GW01 03 04 02

2 mm acero inoxidable / 2 mm stainless steel

Brillante / Polished

Medidas / Measurements 271 x 290 x 100 mm

#### Ref. GW01 03 02 03

3 mm aluminio inyectado / 3 mm injected aluminium

Negro / Black

Medidas / Measurements 271 x 290 x 100 mm

### CARACTERÍSTICAS TÉCNICAS / TECHNICAL FEATURES

Voltaje / Voltage	220 - 240 V
Frecuencia / Frequency	50 / 60 Hz
Velocidad aire / Air speed	226 km/h
Caudal aire / Airflow	119 m <sup>3</sup> /h
Temperatura aire / Air temperature	48 °C
Potencia total / Total power	335 / 950 W
Potencia resistencia / Power of heating element	615 W
Potencia motor / Motor power	335 W
Consumo / Power consumption	4,1 A

Aislamiento eléctrico / Electrical insulation	Class I
Protección / Protection level	IP23
Peso / Weight	4,8 kg
Tiempo de secado / Drying time	15"
Sonoridad a 2 m / Sound level at 2 m	72 dB
rpm / rpm	13.000
Desconexión anti vandálica / Automatic shut-off	60"
Garantía (años) / Warranty (years)	5

SECAMANOS  
HAND DRYERS

SANITARIOS  
SANITARY PRODUCTS

SECADORES DE PELO  
HAIR DRYERS

MUEBLES COMPACTOS  
COMPACT FURNITURE

DISPENSADORES DE PAPEL  
PAPER DISPENSERS

FUENTES DE AGUA  
WATER DISPENSERS

DOSIFICADORES DE JABÓN  
SOAP DISPENSERS

AYUDA A LA MOVILIDAD  
MOBILITY SUPPORT

ACCESORIOS DE BAÑO  
WASHROOM ACCESSORIES

LAVAJOS Y DUCHAS  
EYE WASHERS & SHOWERS

PAPELERAS  
WASTE/PAPER BINS

GRIFERÍA TEMPORIZADA  
TIMED TAPS

CAMBIAPANALES  
BABY CHANGING STATIONS

EXTERMINADORES DE INSECTOS  
INSECT KILLERS

AIRforce



**SECAMANOS AIRFORCE**  
AIRFORCE HAND DRYER



**Ref. GW01 04 02 00**  
3 mm aluminio inyectado / 3 mm injected aluminium  
Epoxi blanco / White epoxy  
Medidas / Measurements 272 x 226 x 165 mm

**Ref. GW01 04 03 00**  
2 mm acero / 2 mm steel  
Blanco / White  
Medidas / Measurements 272 x 226 x 165 mm

**SECAMANOS AIRFORCE**  
AIRFORCE HAND DRYER



**Ref. GW01 04 02 01**  
3 mm aluminio inyectado / 3 mm injected aluminium  
Satinado / Brushed chrome  
Medidas / Measurements 272 x 226 x 165 mm

**Ref. GW01 04 04 01**  
2 mm acero inoxidable / 2 mm stainless steel  
Satinado / Brushed  
Medidas / Measurements 272 x 226 x 165 mm

**CARACTERÍSTICAS / FEATURES**

- Automático / Sensor operated
- Altamente eficiente / Highly energy efficient
- Secado muy rápido / Fast drying time
- Sin resistencia eléctrica / Without heating element
- Salida de aire eficiente / Innovative multi-port diffuser nozzle
- Tratamiento anti bacteriano STERITOUCH / STERITOUCH anti-bacterial treatment
- Diseño moderno / Modern design
- Filtro incluido / Filter included
- Tornillería antivandálica / Vandal-proof screws



## AIRforce



**SECAMANOS AIRFORCE**  
AIRFORCE HAND DRYER



**Ref. GW01 04 02 02**

3 mm aluminio inyectado / 3 mm injected aluminium

Brillante / Polished chrome

Medidas / Measurements 272 x 226 x 165 mm

**Ref. GW01 04 04 02**

2 mm acero inoxidable / 2 mm stainless steel

Brillante / Polished

Medidas / Measurements 272 x 226 x 165 mm

### CARACTERÍSTICAS TÉCNICAS / TECHNICAL FEATURES

Voltaje / Voltage	220 - 240 V
Frecuencia / Frequency	50 / 60 Hz
Velocidad aire / Air speed	332 km/h
Caudal aire / Airflow	178 m³/h
Temperatura aire / Air temperature	40 °C
Potencia total / Total power	1.100 W
Potencia resistencia / Power of heating element	-
Potencia motor / Motor power	1.100 W



**SECAMANOS AIRFORCE**  
AIRFORCE HAND DRYER



**Ref. GW01 04 02 03**

3 mm aluminio inyectado / 3 mm injected aluminium

Negro / Black

Medidas / Measurements 272 x 226 x 165 mm

Consumo / Power consumption	4,8 A
Aislamiento eléctrico / Electrical insulation	Class I
Protección / Protection level	IP24
Tiempo de secado / Drying time	12"
Sonoridad a 2 m / Sound level at 2 m	72 dB
rpm / rpm	34.000
Desconexión anti vandálica / Automatic shut-off	30"
Garantía (años) / Warranty (years)	5

SECAMANOS  
HAND DRYERS

SANITARIOS  
SANITARY PRODUCTS

SECADORES DE PELO  
HAIR DRYERS

MUEBLES COMPACTOS  
COMPACT FURNITURE

DISPENSADORES DE PAPEL  
PAPER DISPENSERS

FUENTES DE AGUA  
WATER DISPENSERS

DOSIFICADORES DE JABÓN  
SOAP DISPENSERS

AYUDA A LA MOVILIDAD  
MOBILITY SUPPORT

ACCESORIOS DE BAÑO  
WASHROOM ACCESSORIES

LAVAOJOS Y DUCHAS  
EYE WASHERS & SHOWERS

PAPELERAS  
WASTE PAPER BINS

GRIFERÍA TEMPORIZADA  
TIMED TAPS

CAMBIAPANALES  
BABY CHANGING STATIONS

EXTERMINADORES DE INSECTOS  
INSECT KILLERS

Modelo A



**SECAMANOS MODEL A**  
*MODEL A HAND DRYER*



**Ref. GW01 19 03 00**  
 2 mm acero / 2 mm steel  
 Blanco / White  
 Pulsador / Push button operated  
 Medidas / Measurements 241 x 287 x 211 mm

**SECAMANOS MODEL A**  
*MODEL A HAND DRYER*



**Ref. GW01 19 04 01**  
 2 mm acero inoxidable / 2 mm stainless steel  
 Satinado / Brushed  
 Pulsador / Push button operated  
 Medidas / Measurements 241 x 287 x 211 mm

**Ref. GW01 19 04 02**  
 2 mm acero inoxidable / 2 mm stainless steel  
 Brillante / Polished  
 Pulsador / Push button operated  
 Medidas / Measurements 241 x 287 x 211 mm

**CARACTERÍSTICAS / FEATURES**

Automático o pulsador / Sensor or manual operated  
 Fiabilidad máxima entre secamanos de alta velocidad / Longest life of high speed hand dryers  
 Carcasa antivandálica / Durable and vandal resistant  
 Tobera giratoria 360° / Nozzle can be adjusted to swivel 360°  
 Secamanos de referencia en el mercado / Benchmark hand dryers in the market  
 Diseño clásico / Classic style design  
 Tornillería antivandálica / Vandal-proof screws

## Modelo A



### SECAMANOS MODEL A MODEL A HAND DRYER



**Ref. GW01 20 03 00**

2 mm acero / 2 mm steel

Blanco / White

Automático / Sensor operated

Medidas / Measurements 241 x 287 x 211 mm

### SECAMANOS MODEL A MODEL A HAND DRYER



**Ref. GW01 20 04 01**

2 mm acero inoxidable / 2 mm stainless steel

Satinado / Brushed

Automático / Sensor operated

Medidas / Measurements 241 x 287 x 211 mm

**Ref. GW01 20 04 02**

2 mm acero inoxidable / 2 mm stainless steel

Brillante / Polished

Automático / Sensor operated

Medidas / Measurements 241 x 287 x 211 mm

### CARACTERÍSTICAS TÉCNICAS / TECHNICAL FEATURES

Voltaje / Voltage	220 - 240 V
Frecuencia / Frequency	50 / 60 Hz
Velocidad aire / Air speed	134 km/h
Caudal aire / Airflow	338 m <sup>3</sup> /h
Temperatura aire / Air temperature	49 °C
Potencia total / Total power	2.300 W
Potencia resistencia / Power of heating element	2.100 W
Potencia motor / Motor power	200 W
Consumo / Power consumption	10 A

Aislamiento eléctrico / Electrical insulation	Class I
Protección / Protection level	IPX1
Peso / Weight	8,2 kg
Tiempo de secado / Drying time	25"
Sonoridad a 2 m / Sound level at 2 m	66 dB
rpm / rpm	8.000
Desconexión anti vandálica / Automatic shut-off	90"
Duración pulsador / Push button timer	22"
Garantía (años) / Warranty (years)	5

SECAMANOS  
HAND DRYERS

SANITARIOS  
SANITARY PRODUCTS

SECADORES DE PELO  
HAIR DRYERS

MUEBLES COMPACTOS  
COMPACT FURNITURE

DISPENSADORES DE PAPEL  
PAPER DISPENSERS

FUENTES DE AGUA  
WATER DISPENSERS

DOSIFICADORES DE JABÓN  
SOAP DISPENSERS

AYUDA A LA MOVILIDAD  
MOBILITY SUPPORT

ACCESORIOS DE BAÑO  
WASHROOM ACCESSORIES

LAVAJOS Y DUCHAS  
EYE WASHERS & SHOWERS

PAPELERAS  
WASTE PAPER BINS

GRIFERÍA TEMPORIZADA  
TIMED TAPS

CAMBIAPANALES  
BABY CHANGING STATIONS

EXTERNADORES DE INSECTOS  
INSECT KILLERS

BLADEflow



**SECAMANOS BLADEFLOW**  
BLADEFLOW HAND DRYER



**Ref. GW01 15 01 00**  
3 mm ABS  
Blanco / White  
Medidas / Measurements 680 x 300 x 250 mm

**SECAMANOS BLADEFLOW**  
BLADEFLOW HAND DRYER



**Ref. GW01 15 01 04**  
3 mm ABS  
Plateado / Silver  
Medidas / Measurements 680 x 300 x 250 mm

**Ref. GW01 15 01 04V1**  
Opción 110V / Option 110V

**CARACTERÍSTICAS / FEATURES**

- Automático / Sensor operated
- Larga duración debido a motor sin escobillas / Brushless motor ensures high reliability
- Estructura antivandálica / Anti-vandalism structure
- Tiempo de secado rápido / Ultra fast drying time
- Diseño moderno / Modern design
- HEPA filter incluido / HEPA filter included
- Recogedor de agua incluido / Water tank included

**CARACTERÍSTICAS TÉCNICAS / TECHNICAL FEATURES**

Voltaje / Voltage	220 - 240 V
Frecuencia / Frequency	50 / 60 Hz
Velocidad aire / Air speed	396 km/h
Caudal aire / Airflow	200 m³/h
Temperatura aire / Air temperature	40 °C
Potencia total / Total power	1.400 W
Potencia resistencia / Power of heating element	700 W
Potencia motor / Motor power	700 W
Consumo / Power consumption	8 A

Aislamiento eléctrico / Electrical insulation	Class I
Protección / Protection level	IP22
Peso / Weight	8,5 kg
Tiempo de secado / Drying time	10"
Sonoridad a 2 m / Sound level at 2 m	76 dB
rpm / rpm	35.000
Desconexión anti vandálica / Automatic shut-off	18"
Garantía (años) / Warranty (years)	3

## BLADEflow-2



### SECAMANOS BLADEFLOW 2 BLADEFLOW 2 HAND DRYER



Ref. GW01 18 04 00

1 mm acero inoxidable / 1 mm stainless steel  
Epoxi Blanco / White Epoxy  
Medidas / Measurements 730 x 300 x 222 mm

#### CARACTERÍSTICAS / FEATURES

Automático / Sensor operated  
Consumo altamente eficiente / Highly energy efficient  
Secado muy rápido / Fast drying time  
Carcasa antivandálica en acero inoxidable / Anti-vandalism stainless steel cover  
Diseño exclusivo / Exclusive design  
Filtro HEPA incluido / HEPA filter included  
Recogedor de agua incluido / Water tank included

#### CARACTERÍSTICAS TÉCNICAS / TECHNICAL FEATURES

Voltaje / Voltage	220 - 240 V
Frecuencia / Frequency	50 / 60 Hz
Velocidad aire / Air speed	342 km/h
Caudal aire / Airflow	228 m³/h
Temperatura aire / Air temperature	60 °C
Potencia total / Total power	1.650 W
Potencia resistencia / Power of heating element	850 W
Potencia motor / Motor power	800 W
Consumo / Power consumption	10 A



### SECAMANOS BLADEFLOW 2 BLADEFLOW 2 HAND DRYER



Ref. GW01 18 04 01

1 mm acero inoxidable / 1 mm stainless steel  
Satinado / Brushed  
Medidas / Measurements 730 x 300 x 222 mm

Aislamiento eléctrico / Electrical insulation	Class I
Protección / Protection level	IPX1
Peso / Weight	13 kg
Tiempo de secado / Drying time	10"
Sonoridad a 2 m / Sound level at 2 m	75 dB
rpm / rpm	20.000
Desconexión anti vandálica / Automatic shut-off	60"
Garantía (años) / Warranty (years)	3

SECAMANOS  
HAND DRYERS

SECADORES DE PELO  
HAIR DRYERS

DISPENSADORES DE PAPEL  
PAPER DISPENSERS

DISPENSADORES DE JABÓN  
SOAP DISPENSERS

ACCESORIOS DE BAÑO  
WASHROOM ACCESSORIES

PAPELERAS  
WASTE PAPER BINS

CAMBIAPANALES  
BABY CHANGING STATIONS

SANITARIOS  
SANITARY PRODUCTS

MUEBLES COMPACTOS  
COMPACT FURNITURE

FUENTES DE AGUA  
WATER DISPENSERS

AYUDA A LA MOVILIDAD  
MOBILITY SUPPORT

LAVAJOS Y DUCHAS  
EYE WASHERS & SHOWERS

GRIFERÍA TEMPORIZADA  
TIMED TAPS

EXTERNADORES DE INSECTOS  
INSECT KILLERS

E-flow



**SECAMANOS E-FLOW**  
E-FLOW HAND DRYER



**Ref. GW01 12 02 00**  
2,5 mm aluminio / 2.5 mm aluminium  
Epoxi blanco / White epoxy  
Medidas / Measurements 268 x 240 x 176 mm

**Ref. GW01 12 02 00V1**  
Opción 110V / Option 110V

**SECAMANOS E-FLOW**  
E-FLOW HAND DRYER



**Ref. GW01 12 02 04**  
2,5 mm aluminio / 2.5 mm aluminium  
Plateado / Silver  
Medidas / Measurements 268 x 240 x 176 mm

**Ref. GW01 12 02 04V1**  
Opción 110V / Option 110V

**CARACTERÍSTICAS / FEATURES**

Resistencia ON / OFF / ON / OFF Heating element  
Altamente eficiente / Highly energy efficient  
Consumo reducido / Low power consumption  
LED azul incorporado / Blue LED incorporated  
Diseño moderno / Modern design

## E-flow



### SECAMANOS E-FLOW E-FLOW HAND DRYER



Ref. GW01 12 02 02

2,5 mm aluminio / 2.5 mm aluminium

Brillante / Polished chrome

Medidas / Measurements 268 x 240 x 176 mm

#### CARACTERÍSTICAS TÉCNICAS / TECHNICAL FEATURES

Voltaje / Voltage	220 - 240 V	Aislamiento eléctrico / Electrical insulation	Class I
Frecuencia / Frequency	50 / 60 Hz	Protección / Protection level	IP22
Velocidad aire / Air speed	230 km/h	Peso / Weight	4,5 kg
Caudal aire / Airflow	140 m <sup>3</sup> /h	Tiempo de secado / Drying time	15"
Temperatura aire / Air temperature	46 °C	Sonoridad a 2 m / Sound level at 2 m	72 dB
Potencia total / Total power	900 W	rpm / rpm	23.000
Potencia resistencia / Power of heating element	250 W	Desconexión anti vandálica / Automatic shut-off	60"
Potencia motor / Motor power	650 W	Garantía (años) / Warranty (years)	3
Consumo / Power consumption	3,9 A		

SECAMANOS  
HAND DRYERS

SANITARIOS  
SANITARY PRODUCTS

SECADORES DE PELO  
HAIR DRYERS

MUEBLES COMPACTOS  
COMPACT FURNITURE

DISPENSADORES DE PAPEL  
PAPER DISPENSERS

FUENTES DE AGUA  
WATER DISPENSERS

DOSIFICADORES DE JABÓN  
SOAP DISPENSERS

AYUDA A LA MOVILIDAD  
MOBILITY SUPPORT

ACCESORIOS DE BAÑO  
WASHROOM ACCESSORIES

LAVAOJOS Y DUCHAS  
EYE WASHERS & SHOWERS

PAPELERAS  
WASTE PAPER BINS

GRIFERÍA TEMPORIZADA  
TIMED TAPS

CAMBIAPANALES  
BABY CHANGING STATIONS

EXTERMINADORES DE INSECTOS  
INSECT KILLERS

Classicflow



**SECAMANOS CLASSICFLOW**  
CLASSICFLOW HAND DRYER



**Ref. GW01 25 03 00**  
Acero 2 mm / 2 mm steel  
Blanco / White  
Automático / Sensor operated  
Medidas / Measurements 232 x 258 x 200 mm

**SECAMANOS CLASSICFLOW**  
CLASSICFLOW HAND DRYER



**Ref. GW01 25 04 01**  
Acero inoxidable 2 mm / 2 mm stainless steel  
Satinado / Brushed  
Automático / Sensor operated  
Medidas / Measurements 232 x 258 x 200 mm

**Ref. GW01 25 04 02**  
Acero inoxidable 2 mm / 2 mm stainless steel  
Brillante / Polished  
Automático / Sensor operated  
Medidas / Measurements 232 x 258 x 200 mm

**CARACTERÍSTICAS / FEATURES**

Automatico o pulsador / Sensor or push button operated  
Carcasa antivandálica de 2mm / Durable and resistant 2mm casing  
Tornillería antivandálica / Vandal-proof screws



## Classicflow



### SECAMANOS CLASSICFLOW CLASSICFLOW HAND DRYER



**Ref. GW01 26 03 00**

Acero 2 mm / 2 mm steel

Blanco / White

Manual / Push button operated

Medidas / Measurements 232 x 258 x 200 mm



### SECAMANOS CLASSICFLOW CLASSICFLOW HAND DRYER



**Ref. GW01 26 04 01**

Acero inoxidable 2 mm / 2 mm stainless steel

Satinado / Brushed

Manual / Push button operated

Medidas / Measurements 232 x 258 x 200 mm

**Ref. GW01 26 04 02**

Acero inoxidable 2 mm / 2 mm AISI stainless steel

Brillante / Polished

Manual / Push button operated

Medidas / Measurements 232 x 258 x 200 mm

### CARACTERÍSTICAS TÉCNICAS / TECHNICAL FEATURES

Voltaje / Voltage	220 - 240 V
Frecuencia / Frequency	50 / 60 Hz
Velocidad aire / Air speed	115 Km/h
Caudal aire / Airflow	210m <sup>3</sup> /h
Temperatura aire / Air temperature	60°C
Potencia total / Total power	2.300 W
Potencia resistencia / Power of heating element	2.100 W
Potencia motor / Motor power	200 W
Consumo / Power consumption	10 A

Aislamiento eléctrico / Electrical insulation	Class I
Protección / Protection level	IPX1
Peso / Weight	5 Kg
Tiempo de secado / Drying time	25"
Sonoridad a 2 m / Sound level at 2 m	78 dB
rpm / rpm	5.800
Desconexión anti vandálica / Automatic shut-off	60"
Duración pulsador / Push button timer	30"
Garantía (años) / Warranty (years)	3

SECAMANOS  
HAND DRYERS

SANITARIOS  
SANITARY PRODUCTS

SECADORES DE PELO  
HAIR DRYERS

MUEBLES COMPACTOS  
COMPACT FURNITURE

DISPENSADORES DE PAPEL  
PAPER DISPENSERS

FUENTES DE AGUA  
WATER DISPENSERS

DOSIFICADORES DE JABÓN  
SOAP DISPENSERS

AYUDA A LA MOVILIDAD  
MOBILITY SUPPORT

ACCESORIOS DE BAÑO  
WASHROOM ACCESSORIES

LAVAJOS Y DUCHAS  
EYE WASHERS & SHOWERS

PAPELERAS  
WASTEPAPER BINS

GRIFERÍA TEMPORIZADA  
TIMED TAPS

CAMBIAPANALES  
BABY CHANGING STATIONS

EXTERMINADORES DE INSECTOS  
INSECT KILLERS

SCREENflow



**SECAMANOS SCREENFLOW**  
SCREENFLOW HAND DRYER



**Ref. GW01 13 01 00**  
ABS de 2 mm / 2mm ABS  
Blanco / White  
Medidas / Measurements 250 x 248 x 178 mm

**SECAMANOS SCREENFLOW**  
SCREENFLOW HAND DRYER



**Ref. GW01 13 01 04**  
ABS de 2 mm / 2mm ABS  
Plateado / Silver  
Medidas / Measurements 250 x 248 x 178 mm

**CARACTERÍSTICAS / FEATURES**

Automático / Sensor operated  
Baja sonoridad / Quiet sound level  
Idóneo para espacios silenciosos / Suitable for quiet facilities  
Diseño moderno / Modern design  
Resistencia ON / OFF / ON / OFF Heating element

## SCREENflow



**SECAMANOS SCREENFLOW**  
SCREENFLOW HAND DRYER



Ref. GW01 22 01 00

ABS de 2 mm / 2mm ABS

Blanco / White

Sistema recoge aguas incluido / Water collector system included

Medidas / Measurements 520 x 248 x 190 mm



**SECAMANOS SCREENFLOW**  
SCREENFLOW HAND DRYER



Ref. GW01 22 01 04

ABS de 2 mm / 2mm ABS

Plateado / Silver

Sistema recoge aguas incluido / Water collector system included

Medidas / Measurements 250 x 248 x 178 mm

### CARACTERÍSTICAS TÉCNICAS / TECHNICAL FEATURES

Voltaje / Voltage	220 - 240 V
Frecuencia / Frequency	50 / 60 Hz
Velocidad aire / Air speed	324 Km/h
Caudal aire / Airflow	170 m <sup>3</sup> /h
Temperatura aire / Air temperature	38°C
Potencia total / Total power	1.100 W
Potencia resistencia / Power of heating element	550 W
Potencia motor / Motor power	550 W
Consumo / Power consumption	4,5 A

Aislamiento eléctrico / Electrical insulation	Class II
Protección / Protection level	IPX1
Peso / Weight	3,75 Kg
Tiempo de secado / Drying time	12"
Sonoridad a 2 m / Sound level at 2 m	68 dB
rpm / rpm	24.000
Desconexión anti vandálica / Automatic shut-off	60"
Garantía (años) / Warranty (years)	3

SECAMANOS  
HAND DRYERS

SANITARIOS  
SANITARY PRODUCTS

SECADORES DE PELO  
HAIR DRYERS

MUEBLES COMPACTOS  
COMPACT FURNITURE

DISPENSADORES DE PAPEL  
PAPER DISPENSERS

FUENTES DE AGUA  
WATER DISPENSERS

DOSIFICADORES DE JABÓN  
SOAP DISPENSERS

AYUDA A LA MOVILIDAD  
MOBILITY SUPPORT

ACCESORIOS DE BAÑO  
WASHROOM ACCESSORIES

LAVAOJOS Y DUCHAS  
EYE WASHERS & SHOWERS

PAPELERAS  
WASTE PAPER BINS

GRIFERÍA TEMPORIZADA  
TIMED TAPS

CAMBIAPANALES  
BABY CHANGING STATIONS

EXTERMINADORES DE INSECTOS  
INSECT KILLERS

WECflow



**SECAMANOS WECFLOW**  
WECFLOW HAND DRYER



**Ref. GW01 14 01 00**  
3 mm ABS  
Blanco / White  
Medidas / Measurements 355 x 255 x 148 mm  
Caudal aire / Airflow 240 m<sup>3</sup>/h

**Ref. GW01 14 01 00V1**  
Opción 110V / Option 110V

**SECAMANOS WECFLOW**  
WECFLOW HAND DRYER



**Ref. GW01 14 03 00**  
1,2 mm acero / 1.2 mm steel  
Epoxi blanco / White epoxy  
Medidas / Measurements 355 x 255 x 148 mm  
Caudal aire / Airflow 240 m<sup>3</sup>/h / 4.000 l/min

**Ref. GW01 14 03 00V1**  
Opción 110V / Option 110V

**CARACTERÍSTICAS / FEATURES**

Automático / Sensor operated  
Motor de inducción / Induction motor  
Fiabilidad máxima / Highly reliable  
Variedad de carcasas / Large range of covers  
Tornillería antivandálica / Vandal-proof screws  
Baja sonoridad / Quiet sound level

## WECflow



**SECAMANOS WECFLOW**  
WECFLOW HAND DRYER



Ref. GW01 14 04 01

1,2 mm acero inoxidable / 1.2 mm stainless steel

Satinado / Brushed

Medidas / Measurements 355 x 255 x 148 mm

Caudal aire / Airflow 240 m<sup>3</sup>/h / 4.000 l/min

Ref. GW01 14 04 01V1

Opción 110V

### CARACTERÍSTICAS TÉCNICAS / TECHNICAL FEATURES

Voltaje / Voltage	220 - 240 V
Frecuencia / Frequency	50 / 60 Hz
Velocidad aire / Air speed	65 km/h
Temperatura aire / Air temperature	65 °C
Potencia total / Total power	1.800 W
Potencia resistencia / Power of heating element	1.740 W
Potencia motor / Motor power	60 W
Consumo / Power consumption	7,5 A



**SECAMANOS WECFLOW**  
WECFLOW HAND DRYER



Ref. GW01 14 04 02

1,2 mm acero inoxidable / 1.2 mm stainless steel

Brillante / Polished

Medidas / Measurements 355 x 255 x 148 mm

Caudal aire / Airflow 240 m<sup>3</sup>/h / 4.000 l/min

Aislamiento eléctrico / Electrical insulation	Class I
Protección / Protection level	IPX1
Peso / Weight	3,2 kg
Tiempo de secado / Drying time	36"
Sonoridad a 2 m / Sound level at 2 m	60 dB
rpm / rpm	2.680
Desconexión anti vandálica / Automatic shut-off	60"
Garantía (años) / Warranty (years)	3

SECAMANOS  
HAND DRYERS

SANITARIOS  
SANITARY PRODUCTS

SECADORES DE PELO  
HAIR DRYERS

MUEBLES COMPACTOS  
COMPACT FURNITURE

DISPENSADORES DE PAPEL  
PAPER DISPENSERS

FUENTES DE AGUA  
WATER DISPENSERS

DOSIFICADORES DE JABÓN  
SOAP DISPENSERS

AYUDA A LA MOVILIDAD  
MOBILITY SUPPORT

ACCESORIOS DE BAÑO  
WASHROOM ACCESSORIES

LAVAJOS Y DUCHAS  
EYE WASHERS & SHOWERS

PAPELERAS  
WASTE PAPER BINS

GRIFERÍA TEMPORIZADA  
TIMED TAPS

CAMBIAPANALES  
BABY CHANGING STATIONS

EXTERNADORES DE INSECTOS  
INSECT KILLERS

		Zonas de alto tráfico / High traffic zones			
		Verdedri	Smartdri Plus	Airforce	E-flow
Motor	Inducción / <i>Brushless</i>				
	Con escobillas / <i>Brushes</i>	•	•	•	•
Funcionamiento / <i>Operation</i>	Manual				
	Sensor	•	•	•	•
Carcasa / <i>Casing</i>	Acero inoxidable / <i>Stainless steel</i>	•		•	
	Acero / <i>Steel</i>				
	Aluminio / <i>Aluminium</i>	•	•	•	•
	ABS				
Filtración / <i>Filtration</i>	Filtro Hepa / <i>Hepa filtration</i>	•			
Ajuste / <i>Adjustability</i>	Potencia / <i>Power</i>	•	•		
	Detección sensor / <i>Sensor detection</i>	•	•	•	•
	Resistencia / <i>Heating element</i>		•		•
IP	IP24	•	•	•	
	IP23				
	IP22				•
	IPX1				
Seguridad / <i>Security attributes</i>	Antivándalico / <i>Vandal proof</i>	•	•	•	•
	Apagado automático / <i>Auto shut-off</i>	•	•	•	•
Garantía / <i>Warranty</i>	5 años / <i>years</i>	•	•	•	
	3 años / <i>years</i>				•

		Zonas de tráfico medio / Medium traffic zones				Zonas de bajo tráfico / Low traffic zones
Bladeflow	Bladeflow-2	Slimdri	Model A	Classicflow	Screenflow	Wecflow
•						•
	•	•	•	•	•	
			•	•		
•	•	•			•	•
	•		•	•		•
			•	•		•
•		•				
•	•					
		•				•
		•				
		•				
•						
	•		•	•	•	•
•	•	•	•			
•	•	•	•	•	•	•
		•	•			
•	•			•	•	•

CAMBIAPANALES  
BABY CHANGING STATIONS

EXTERMINADORES DE INSECTOS  
INSECT KILLERS

PAPELERAS  
WASTE PAPER BINS

GRIFERÍA TEMPORIZADA  
TIMED TAPS

ACCESORIOS DE BAÑO  
WASHROOM ACCESSORIES

LAVAJOS Y DUCHAS  
EYE WASHERS & SHOWERS

DISPENSADORES DE JABÓN  
SOAP DISPENSERS

AYUDA A LA MOVILIDAD  
MOBILITY SUPPORT

DISPENSADORES DE PAPEL  
PAPER DISPENSERS

FUENTES DE AGUA  
WATER DISPENSERS

SECADORES DE PELO  
HAIR DRYERS

MUEBLES COMPACTOS  
COMPACT FURNITURE

SECAMANOS  
HAND DRYERS

SANITARIOS  
SANITARY PRODUCTS

**Secadores de pelo**  
*Hair dryers*





	<b>CAMBIAPAÑALES</b> BABY CHANGING STATIONS		<b>PAPELERAS</b> WASTE PAPER BINS		<b>ACCESORIOS DE BAÑO</b> WASHROOM ACCESSORIES		<b>AYUDAS A LA MOVILIDAD</b> MOBILITY SUPPORT		<b>DISPENSADORES DE PAPEL</b> PAPER DISPENSER		<b>SECADORES DE PELO</b> HAIR DRYERS		<b>SECAMANOS</b> HAND DRYERS
	<b>EXTERNADORES DE INSECTOS</b> INSECT KILLERS		<b>GRIFERIA TEMPORIZADA</b> TIMED TAPS		<b>LAVAOJOS Y DUCHAS</b> EYE WASHERS & SHOWERS		<b>AYUDAS A LA MOVILIDAD</b> MOBILITY SUPPORT		<b>FUENTES DE AGUA</b> WATER DISPENSERS		<b>MUEBLES COMPACTOS</b> COMPACT FURNITURE		<b>SANITARIOS</b> SANITARY PRODUCTS



**SECADOR DE AIRE CALIENTE / DOS VELOCIDADES**  
*HOT AIR DRYER / TWO SPEEDS*

**Ref. GW02 01 01 00**  
 ABS Blanco / *White ABS*  
 Rejilla de ventilación en ABS cromado  
*Chromed ABS ventilation grill*  
 Potencia motor 40 W / *Motor power 40 W*  
 Con interruptor de seguridad / *With security switch*  
 Medidas / *Measurements 180 x 150 x 100 mm*  
 Potencia total / *Total power 600 - 1.200 W*  
 Potencia resistencia / *Power of heating element 1.160 W*  
 Peso / *Weight 0,65 kg*



**SECADOR DE AIRE CALIENTE Y FRÍO / DOS VELOCIDADES**  
*HOT AND COLD AIR DRYER / TWO SPEEDS*

**Ref. GW02 02 01 00**  
 ABS Blanco / *White ABS*  
 Rejilla de ventilación en ABS cromado  
*Chromed ABS ventilation grill*  
 Especialmente diseñado para instalación en cajón  
*Specially designed for drawer installation*  
 Potencia motor 40 W / *Motor power 40 W*  
 Con interruptor de seguridad / *With security switch*  
 Medidas / *Measurements 250 x 170 x 90 mm*  
 Potencia total / *Total power 700 - 1.400 W*  
 Potencia resistencia / *Power of heating element 1.360 W*  
 Peso / *Weight 1 kg*

**CARACTERÍSTICAS TÉCNICAS / TECHNICAL FEATURES**

Voltaje / <i>Voltage</i>	220 - 240 V
Frecuencia / <i>Frequency</i>	50 / 60 Hz
Velocidad aire / <i>Air speed</i>	55 km/h
Caudal aire / <i>Airflow</i>	75 m³/h 1.250 l/min

Potencia motor / <i>Motor power</i>	40 W
Aislamiento eléctrico / <i>Electrical insulation</i>	Class II
rpm / <i>rpm</i>	10.000



## SECADOR DE PELO HAIR DRYER

**Ref. GW02 05 01 00**

ABS Blanco / *White ABS*

Blanco / *White*

Secador de aire caliente / tres velocidades

*Hot air hair dryer / three speeds*

Enchufe europeo / americano para afeitadora

*With European / American plug for shaver*

Medidas / *Measurements* 540x 210 x 100 mm

### CARACTERÍSTICAS TÉCNICAS / TECHNICAL FEATURES

Voltaje / <i>Voltage</i>	220 - 240 V
Frecuencia / <i>Frequency</i>	50 / 60 Hz
Velocidad aire / <i>Air speed</i>	55 km/h
Caudal aire / <i>Airflow</i>	54 m <sup>3</sup> /h 900 l/min
Potencia total / <i>Total power</i>	320 - 640 - 950 W

Potencia resistencia / <i>Power of heating element</i>	900 W
Potencia motor / <i>Motor power</i>	50 W
Aislamiento eléctrico / <i>Electrical insulation</i>	Class II
Peso / <i>Weight</i>	2,2 kg
rpm / <i>rpm</i>	3.600

SECAMANOS  
HAND DRYERS

SECADORES DE PELO  
HAIR DRYERS

DISPENSADORES DE PAPEL  
PAPER DISPENSERS

DOSIFICADORES DE JABÓN  
SOAP DISPENSERS

ACCESORIOS DE BAÑO  
WASHROOM ACCESSORIES

PAPELERAS  
WASTE PAPER BINS

CAMBIAPANALES  
BABY CHANGING STATIONS

SANITARIOS  
SANITARY PRODUCTS

MUEBLES COMPACTOS  
COMPACT FURNITURE

FUENTES DE AGUA  
WATER DISPENSERS

AYUDA A LA MOVILIDAD  
MOBILITY SUPPORT

LAVAJOS Y DUCHAS  
EYE WASHERS & SHOWERS

GRIFERÍA TEMPORIZADA  
TIMED TAPS

EXTERNADORES DE INSECTOS  
INSECT KILLERS



**SECADOR DE AIRE CALIENTE Y FRÍO / DOS VELOCIDADES**  
HOT AND COLD AIR DRYER / TWO SPEEDS

**Ref. GW02 03 01 00**

ABS Blanco / White ABS

Rejilla de ventilación en ABS cromado

Chromed ABS ventilation grill

Enchufe europeo / americano para afeitadora

With European / American plug for shaver

Con interruptor de seguridad / With security switch

Medidas / Measurements 280 x 240 x 150 mm

**Ref. GW02 03 01 00V1**

Opción 110V / Option 110V



**SECADOR DE AIRE CALIENTE Y FRÍO / DOS VELOCIDADES**  
HOT AND COLD AIR DRYER / TWO SPEEDS

**Ref. GW02 03 01 03**

ABS Negro / Black ABS

Rejilla de ventilación en ABS cromado

Chromed ABS ventilation grill

Enchufe europeo / americano para afeitadora

With European / American plug for shaver

Con interruptor de seguridad / With security switch

Medidas / Measurements 280 x 240 x 150 mm

**CARACTERÍSTICAS TÉCNICAS / TECHNICAL FEATURES**

Voltaje / Voltage	220 - 240 V
Frecuencia / Frequency	50 / 60 Hz
Velocidad aire / Air speed	55 km/h
Caudal aire / Airflow	75 m³/h 1.250 l/min
Potencia total / Total power	700 / 1.400 W

Potencia resistencia / Power of heating element	1.360 W
Potencia motor / Motor power	40 W
Aislamiento eléctrico / Electrical insulation	Class II
Peso / Weight	1,2 kg
rpm / rpm	10.000



**SECADOR DE AIRE CALIENTE Y FRÍO / DOS VELOCIDADES**  
*HOT AND COLD AIR DRYER / TWO SPEEDS*

**Ref. GW02 04 04 02**

ABS Brillante / *ABS Polished*

Medidas / *Measurements 210 x 230 x 100 mm*

**CARACTERÍSTICAS TÉCNICAS / TECHNICAL FEATURES**

Voltaje / <i>Voltage</i>	220 - 240 V
Frecuencia / <i>Frequency</i>	50 / 60 Hz
Velocidad aire / <i>Air speed</i>	65 km/h
Caudal aire / <i>Airflow</i>	82 m³/h 1.367 l/min
Potencia total / <i>Total power</i>	900 / 1.800 W

Potencia resistencia / <i>Power of heating element</i>	1.650 W
Potencia motor / <i>Motor power</i>	150 W
Aislamiento eléctrico / <i>Electrical insulation</i>	Class II
Peso / <i>Weight</i>	1,6 kg
rpm / <i>rpm</i>	22.500

SECAMANOS  
HAND DRYERS

SECADORES DE PELO  
HAIR DRYERS

DISPENSADORES DE PAPEL  
PAPER DISPENSERS

DOSIFICADORES DE JABÓN  
SOAP DISPENSERS

ACCESORIOS DE BAÑO  
WASHROOM ACCESSORIES

PAPELERAS  
WASTE PAPER BINS

CAMBIAPANALES  
BABY CHANGING STATIONS

MUEBLES COMPACTOS  
COMPACT FURNITURE

FUENTES DE AGUA  
WATER DISPENSERS

AYUDA A LA MOVILIDAD  
MOBILITY SUPPORT

LAVAJOS Y DUCHAS  
EYE WASHERS & SHOWERS

GRIFERÍA TEMPORIZADA  
TIMED TAPS

EXTERMINADORES DE INSECTOS  
INSECT KILLERS

SANITARIOS  
SANITARY PRODUCTS

AIRstyle



**SECADOR DE PELO**  
HAIR DRYER



**Ref. GW02 06 03 00**  
2 mm acero / 2 mm steel  
Blanco / White  
Medidas / Measurements 241 x 287 x 211 mm

**SECADOR DE PELO**  
HAIR DRYER



**Ref. GW02 06 04 01**  
2 mm acero inoxidable 304 / 2 mm AISI 304 stainless steel  
Satinado / Brushed  
Medidas / Measurements 241 x 287 x 211 mm

**CARACTERÍSTICAS / FEATURES**

Ciclo de secado de 80 segundos / 80 second drying cycle  
Estructura anti vandálica / Anti-vandalism structure  
Tobera giratoria 360° / 360° swivel nozzle  
Diseñado para gimnasios, escuelas, etc. / Designed for health clubs, schools, etc.

## AIRstyle



### SECADOR DE PELO HAIR DRYER



**Ref. GW02 06 04 02**

2 mm acero inoxidable 304 / 2 mm AISI 304 stainless steel

Brillante / Polished

Medidas / Measurements 241 x 287 x 211 mm

#### CARACTERÍSTICAS TÉCNICAS / TECHNICAL FEATURES

Voltaje / Voltage	220 - 240 V
Frecuencia / Frequency	50 / 60 Hz
Velocidad aire / Air speed	134 km/h
Caudal aire / Airflow	340 m <sup>3</sup> /h 5.663 l/min
Temperatura aire / Air temperature	59 °C
Potencia total / Total power	2.300 W
Potencia resistencia / Power of heating element	2.100 W
Potencia motor / Motor power	200 W

Consumo / Power consumption	10 A
Aislamiento eléctrico / Electrical insulation	Class I
Protección / Protection level	IPX1
Peso / Weight	8,2 kg
Sonoridad a 2 m / Sound level at 2 m	66 dB
rpm / rpm	7.500
Duración pulsador / Push button timer	80"

SECAMANOS  
HAND DRYERS

SANITARIOS  
SANITARY PRODUCTS

SECADORES DE PELO  
HAIR DRYERS

MUEBLES COMPACTOS  
COMPACT FURNITURE

DISPENSADORES DE PAPEL  
PAPER DISPENSERS

FUENTES DE AGUA  
WATER DISPENSERS

DOSIFICADORES DE JABÓN  
SOAP DISPENSERS

AYUDA A LA MOVILIDAD  
MOBILITY SUPPORT

ACCESORIOS DE BAÑO  
WASHROOM ACCESSORIES

LAVAJOS Y DUCHAS  
EYE WASHERS & SHOWERS

PAPELERAS  
WASTEPAPER BINS

GRIFERÍA TEMPORIZADA  
TIMED TAPS

CAMBIAPANALES  
BABY CHANGING STATIONS

EXTERNADORES DE INSECTOS  
INSECT KILLERS

**Dispensadores de papel**  
*Paper dispensers*





CAMBIAPANALES  
BABY CHANGING STATIONS

EXTERMINADORES DE INSECTOS  
INSECT KILLERS

PAPELERAS  
WASTEPAPER BINS

GRIFERIA TEMPORIZADA  
TIMED TAPS

ACCESORIOS DE BAÑO  
WASHROOM ACCESSORIES

LAVAJOS Y DUCHAS  
EYE WASHERS & SHOWERS

DOSIFICADORES DE JABON  
SOAP DISPENSERS

AYUDAS A LA MOVILIDAD  
MOBILITY SUPPORT

DISPENSADORES DE PAPEL  
PAPER DISPENSER

FUENTES DE AGUA  
WATER DISPENSERS

SECADORES DE PELO  
HAIR DRYERS

MUEBLES COMPACTOS  
COMPACT FURNITURE

SECAMANOS  
HAND DRYERS

SANITARIOS  
SANITARY PRODUCTS



**DISPENSADOR DE PAPEL JUMBO**  
*TOILET ROLL PAPER DISPENSER*

---

**Ref. GW03 01 03 00**

Acero / *Steel*

Epoxi blanco / *White epoxy*

Medidas / *Measurements 273 x 273 x 120 mm*

**CARACTERÍSTICAS / FEATURES**

Instalación mural / *Surface mounted*

Gomas en la cánula para fijar el rollo / *Rubber rings in core to fix paper roll*

Llave seguridad central / *Center lock key*

Cánula de Ø 40 mm / *Ø 40 mm core*



**DISPENSADOR DE PAPEL JUMBO**  
TOILET ROLL PAPER DISPENSER

**Ref. GW03 02 04 01**

Acero inoxidable 304 / AISI 304 stainless steel

Satinado / Brushed

Medidas / Measurements 275 x 275 x 121 mm



**DISPENSADOR DE PAPEL JUMBO**  
TOILET ROLL PAPER DISPENSER

**Ref. GW03 02 04 02**

Acero inoxidable 304 / AISI 304 stainless steel

Brillante / Polished

Medidas / Measurements 275 x 275 x 121 mm

**CARACTERÍSTICAS / FEATURES**

Instalación mural / Surface mounted

Llave seguridad central / Center lock key

Gomas en la cánula para fijar el rollo / Rubber rings in core to fix paper roll

Incorpora parte trasera / With backplate

SECAMANOS  
HAND DRYERS

SECADORES DE PELO  
HAIR DRYERS

DISPENSADORES DE PAPEL  
PAPER DISPENSERS

DOSIFICADORES DE JABÓN  
SOAP DISPENSERS

ACCESORIOS DE BAÑO  
WASHROOM ACCESSORIES

PAPELERAS  
WASTE PAPER BINS

CAMBIAPANALES  
BABY CHANGING STATIONS

SANITARIOS  
SANITARY PRODUCTS

MUEBLES COMPACTOS  
COMPACT FURNITURE

FUENTES DE AGUA  
WATER DISPENSERS

AYUDA A LA MOVILIDAD  
MOBILITY SUPPORT

LAVAJOS Y DUCHAS  
EYE WASHERS & SHOWERS

GRIFERÍA TEMPORIZADA  
TIMED TAPS

EXTERMINADORES DE INSECTOS  
INSECT KILLERS



**DISPENSADOR DE PAPEL DOBLE ROLLO**  
*TWO ROLL PAPER DISPENSER*

**Ref. GW03 03 03 00**

*Acero / Steel*

*Epoxi blanco / White epoxy*

**Medidas / Measurements** 295 x 120 x 130 mm



**DISPENSADOR DE PAPEL DOBLE ROLLO**  
*TWO ROLL PAPER DISPENSER*

**Ref. GW03 03 04 01**

*Acero inoxidable 304 / AISI 304 stainless steel*

*Satinado / Brushed*

**Medidas / Measurements** 295 x 120 x 130 mm

**Ref. GW03 03 04 02**

*Acero inoxidable 304 / AISI 304 stainless steel*

*Brillante / Polished*

**Medidas / Measurements** 295 x 120 x 130 mm

**CARACTERÍSTICAS / FEATURES**

*Instalación mural / Surface mounted*

*Llave seguridad en parte superior / Upper lock key*



**DISPENSADOR DE PAPEL TOALLA**  
*PAPER TOWEL DISPENSER*

**Ref. GW03 04 03 00**

Acero / *Steel*

Epoxi blanco / *White epoxy*

Medidas / *Measurements 203 x 279 x 102 mm*



**DISPENSADOR DE PAPEL TOALLA**  
*PAPER TOWEL DISPENSER*

**Ref. GW03 04 04 01**

Acero inoxidable 304 / *AISI 304 stainless steel*

Satinado / *Brushed*

Medidas / *Measurements 203 x 279 x 102 mm*

**Ref. GW03 04 04 02**

Acero inoxidable 304 / *AISI 304 stainless steel*

Brillante / *Polished*

Medidas / *Measurements 203 x 279 x 102 mm*

**CARACTERÍSTICAS / FEATURES**

Capacidad 250 toallas tipo C / *250 C-type towel capacity*

Capacidad 300 toallas tipo Z / *300 Z-type towel capacity*

Llave seguridad en parte superior / *Upper lock key*

SECAMANOS  
 HAND DRYERS

SANITARIOS  
 SANITARY PRODUCTS

SECADORES DE PELO  
 HAIR DRYERS

MUEBLES COMPACTOS  
 COMPACT FURNITURE

DISPENSADORES DE PAPEL  
 PAPER DISPENSERS

FUENTES DE AGUA  
 WATER DISPENSERS

DOSIFICADORES DE JABÓN  
 SOAP DISPENSERS

AYUDA A LA MOVILIDAD  
 MOBILITY SUPPORT

ACCESORIOS DE BAÑO  
 WASHROOM ACCESSORIES

LAVAJOS Y DUCHAS  
 EYE WASHERS & SHOWERS

PAPELERAS  
 WASTE PAPER BINS

GRIFERÍA TEMPORIZADA  
 TIMED TAPS

CAMBIAPANALES  
 BABY CHANGING STATIONS

EXTERNADORES DE INSECTOS  
 INSECT KILLERS



**DISPENSADOR DE PAPEL TOALLA**  
*PAPER TOWEL DISPENSER*

**Ref. GW03 05 03 00**

*Acero / Steel*

*Epoxi blanco / White epoxy*

*Medidas / Measurements 369 x 279 x 102 mm*



**DISPENSADOR DE PAPEL TOALLA**  
*PAPER TOWEL DISPENSER*

**Ref. GW03 05 04 01**

*Acero inoxidable 304 / AISI 304 stainless steel*

*Satinado / Brushed*

*Medidas / Measurements 389 x 279 x 102 mm*

**Ref. GW03 05 04 02**

*Acero inoxidable 304 / AISI 304 stainless steel*

*Brillante / Polished*

*Medidas / Measurements 389 x 279 x 102 mm*

**CARACTERÍSTICAS / FEATURES**

*Capacidad 450 toallas tipo C / 450 C-type towel capacity*

*Capacidad 600 toallas tipo Z / 600 Z-type towel capacity*

*Llave seguridad en parte superior / Upper lock key*



**DISPENSADOR DE PAPEL UNITARIO**  
*SINGLE ROLL PAPER DISPENSER*

Ref. GW03 08 04 02 (Brillante / Polished)  
 Ref. GW03 08 04 01 (Satinado / Brushed)  
 Medidas / Measurements 163 x 163 x 55 mm



**DISPENSADOR DE PAPEL UNITARIO**  
*SINGLE ROLL PAPER DISPENSER*

Ref. GW03 09 04 02  
 Medidas / Measurements 161 x 161 x 50 mm



**DISPENSADOR DE PAPEL DOBLE**  
*TWO ROLL PAPER DISPENSER*

Ref. GW03 10 04 02 (Brillante / Polished)  
 Ref. GW03 10 04 01 (Satinado / Brushed)  
 Medidas / Measurements 162 x 325 x 52 mm



**DISPENSADOR DE PAPEL DOBLE**  
*TWO ROLL PAPER DISPENSER*

Ref. GW03 11 04 02  
 Medidas / Measurements 160 x 322 x 45 mm

**CARACTERÍSTICAS / FEATURES**

Portarrollos de 1 o 2 rollo / 1 or 2 rolls paper dispenser  
 Mural / Surface mounted  
 Acero inoxidable 304 / AISI 304 Stainless steel

**CARACTERÍSTICAS / FEATURES**

Portarrollos de 1 o 2 rollo / 1 or 2 roll paper dispenser  
 Encastrados / Built-in  
 Acero inoxidable 304 / AISI 304 Stainless steel  
 Acabado brillante / Polished finish

SECAMANOS  
 HAND DRYERS

SECADORES DE PELO  
 HAIR DRYERS

DISPENSADORES DE PAPEL  
 PAPER DISPENSERS

DISPENSADORES DE JABÓN  
 SOAP DISPENSERS

ACCESORIOS DE BAÑO  
 WASHROOM ACCESSORIES

PAPELERAS  
 WASTE PAPER BINS

CAMBIAPANALES  
 BABY CHANGING STATIONS

SANITARIOS  
 SANITARY PRODUCTS

MUEBLES COMPACTOS  
 COMPACT FURNITURE

FUENTES DE AGUA  
 WATER DISPENSERS

AYUDA A LA MOVILIDAD  
 MOBILITY SUPPORT

LAVAJOS Y DUCHAS  
 EYE WASHERS & SHOWERS

GRIFERÍA TEMPORIZADA  
 TIMED TAPS

EXTERMINADORES DE INSECTOS  
 INSECT KILLERS



**DISPENSADOR DE PAPEL DOBLE ROLLO**  
*TWO ROLL PAPER DISPENSER*



**Ref. GW03 12 04 01**  
 Acero inoxidable 304 / *AISI 304 stainless steel*  
 Satinado / *Brushed*  
 Mural / *Surface mounted*  
 Medidas / *Measurements 305 x 153 x 171 mm*



**DISPENSADOR DE PAPEL DOBLE ROLLO**  
*TWO ROLL PAPER DISPENSER*



**Ref. GW03 13 04 01**  
 Acero inoxidable 304 / *AISI 304 stainless steel*  
 Satinado / *Brushed*  
 Encastrado / *Built-in*  
 Medidas / *Measurements 337 x 185 x 171 mm*

**CARACTERÍSTICAS / FEATURES**

Acero inoxidable 304 / *AISI 304 Stainless steel*  
 Cierre con llave seguridad / *Safety lock closure*





**DISPENSADOR DE PAPEL CUBRE ASIENTOS**  
*SEAT COVER PAPER DISPENSER*

**Ref. GW03 14 03 00**

Acero / *Steel*

Epoxi blanco / *White epoxy*

Dispensador papel 1/4 plegado para cubrir asientos inodoro

*Wall mounted 1/4 folded toilet seat cover dispenser*

Cierre con llave de seguridad / *Safety lock closure*

Medidas / *Measurements 290 x 230 x 50 mm*



**DISPENSADOR DE PAPEL CUBRE ASIENTOS**  
*SEAT COVER PAPER DISPENSER*

**Ref. GW03 14 04 01**

Acero inoxidable 304 / *AISI 304 stainless steel*

Satinado / *Brushed*

Dispensador papel 1/4 plegado para cubrir asientos inodoro

*Wall mounted 1/4 folded toilet seat cover dispenser*

Cierre con llave de seguridad / *Safety lock closure*

Medidas / *Measurements 290 x 230 x 50 mm*

**Ref. GW03 14 04 02**

Acero inoxidable 304 / *AISI 304 stainless steel*

Brillante / *Polished*

Dispensador papel 1/4 plegado para cubrir asientos inodoro

*Wall mounted 1/4 folded toilet seat cover dispenser*

Cierre con llave de seguridad / *Safety lock closure*

Medidas / *Measurements 290 x 230 x 50 mm*

SECAMANOS  
HAND DRYERS

SANITARIOS  
SANITARY PRODUCTS

SECADORES DE PELO  
HAIR DRYERS

MUEBLES COMPACTOS  
COMPACT FURNITURE

DISPENSADORES DE PAPEL  
PAPER DISPENSERS

FUENTES DE AGUA  
WATER DISPENSERS

DOSIFICADORES DE JABÓN  
SOAP DISPENSERS

AYUDA A LA MOVILIDAD  
MOBILITY SUPPORT

ACCESORIOS DE BAÑO  
WASHROOM ACCESSORIES

LAVAJOS Y DUCHAS  
EYE WASHERS & SHOWERS

PAPELERAS  
WASTE PAPER BINS

GRIFERÍA TEMPORIZADA  
TIMED TAPS

CAMBIAPAÑALES  
BABY CHANGING STATIONS

EXTERMINADORES DE INSECTOS  
INSECT KILLERS



**DISPENSADOR TOALLITAS ENCASTRADO**  
*BUILT-IN TISSUE DISPENSER*

**Ref. GW03 16 04 02**

Acero inoxidable 304 / AISI 304 stainless steel

Brillante / Polished

Medidas / Measurements 159 x 295 x 67 mm

Medidas hueco / Wall hole measurements 128 x 264 x 67 mm



**DISPENSADOR TOALLITAS MURAL**  
*SURFACE MOUNTED TISSUE DISPENSER*

**Ref. GW03 17 04 02**

Acero inoxidable 304 / AISI 304 stainless steel

Brillante / Polished

Medidas / Measurements 127 x 267,5 x 60 mm



**DISPENSADOR PAPEL CUBRE ASIENTOS ENCASTRADO**  
*BUILT-IN SEAT COVER DISPENSER*

**Ref. GW03 15 04 01**

Acero inoxidable 304 / AISI 304 stainless steel

Satinado / Brushed

Medidas / Measurements 322 x 432 x 70 mm

Medidas hueco / Wall hole measurements 276 x 386 x 70 mm



**DISPENSADOR DE BOLSAS HIGIÉNICAS**  
*HYGIENIC BAG DISPENSER*

**Ref. GW03 25 04 01**  
 Acero inoxidable 304 / *AISI 304 Stainless steel*  
 Satinado / *Brushed*  
 Medidas / *Measurements 135 x 96 x 26,5 mm*



**DISPENSADOR DE BOLSAS HIGIÉNICAS**  
*HYGIENIC BAG DISPENSER*

**Ref. GW03 25 04 02**  
 Acero inoxidable 304 / *AISI 304 Stainless steel*  
 Brillante / *Polished*  
 Medidas / *Measurements 135 x 96 x 26,5 mm*

**CARACTERÍSTICAS / FEATURES**

Instalación mural / *Surface mounted*  
 Fácil extracción de bolsas / *Easy bag extraction*

SECAMANOS  
 HAND DRYERS

SANITARIOS  
 SANITARY PRODUCTS

SECADORES DE PELO  
 HAIR DRYERS

MUEBLES COMPACTOS  
 COMPACT FURNITURE

DISPENSADORES DE PAPEL  
 PAPER DISPENSERS

FUENTES DE AGUA  
 WATER DISPENSERS

DOSIFICADORES DE JABÓN  
 SOAP DISPENSERS

AYUDA A LA MOVILIDAD  
 MOBILITY SUPPORT

ACCESORIOS DE BAÑO  
 WASHROOM ACCESSORIES

LAVAJOS Y DUCHAS  
 EYE WASHERS & SHOWERS

PAPELERAS  
 WASTE PAPER BINS

GRIFERÍA TEMPORIZADA  
 TIMED TAPS

CAMBIAPANALES  
 BABY CHANGING STATIONS

EXTERMINADORES DE INSECTOS  
 INSECT KILLERS



**DISPENSADOR DE PAPEL DOBLE**  
*TWO ROLL PAPER DISPENSER*

**Ref. GW03 18 01 00**  
 ABS Blanco / *White ABS*  
 Apto para toallitas individuales  
*Suitable for interleave toilet paper*  
 Medidas / *Measurements 275 x 148 x 138 mm*



**DISPENSADOR DE PAPEL JUMBO**  
*TOILET ROLL PAPER DISPENSER*

**Ref. GW03 19 01 00**  
 ABS Blanco / *White ABS*  
 Medidas / *Measurements 281 x 271 x 130 mm*



**DISPENSADOR DE PAPEL DOBLE**  
*TWO ROLL PAPER DISPENSER*

**Ref. GW03 18 01 04**  
 ABS Plateado / *Silver ABS*  
 Apto para toallitas individuales  
*Suitable for interleave toilet paper*  
 Medidas / *Measurements 275 x 148 x 138 mm*



**DISPENSADOR DE PAPEL JUMBO**  
*TOILET ROLL PAPER DISPENSER*

**Ref. GW03 19 01 04**  
 ABS Plateado / *Silver ABS*  
 Medidas / *Measurements 281 x 271 x 130 mm*

**CARACTERÍSTICAS / FEATURES**

Material ABS / *ABS Material*  
 Instalación mural / *Surface mounted*  
 Llave seguridad en parte superior / *Upper lock key*  
 Medidas rollo: Ø 120 x 110 mm / *Paper roll size: Ø 120 x 110 mm*  
 Medidas toallitas: 245 x 135 x 120 mm  
*Z folded paper size: 245 x 135 x 120 mm*

**CARACTERÍSTICAS / FEATURES**

Material ABS / *ABS Material*  
 Instalación mural / *Surface mounted*  
 Dos opciones de cánula: Ø 48 o Ø 73 mm  
*Two core options: Ø 48 or Ø 73 mm*  
 Llave seguridad en parte superior / *Upper lock key*



**DISPENSADOR DE PAPEL TOALLA**  
PAPER TOWEL DISPENSER

Ref. GW03 20 01 00  
ABS Blanco / White ABS  
Medidas / Measurements 300 x 260 x 130 mm



**DISPENSADOR DE PAPEL MECHA**  
CENTREFEED PAPER DISPENSER

Ref. GW03 21 01 00  
ABS Blanco / White ABS  
Medidas / Measurements 310 x 240 x 240 mm



**DISPENSADOR DE PAPEL TOALLA**  
PAPER TOWEL DISPENSER

Ref. GW03 20 01 04  
ABS Plateado / Silver ABS  
Medidas / Measurements 310 x 240 x 240 mm



**DISPENSADOR DE PAPEL MECHA**  
CENTREFEED PAPER DISPENSER

Ref. GW03 21 01 04  
ABS Plateado / Silver ABS  
Medidas / Measurements 310 x 240 x 240 mm

**CARACTERÍSTICAS / FEATURES**

Material ABS / ABS Material  
Capacidad 450 toallas tipo C / 450 C-type towel capacity  
Capacidad 600 toallas tipo Z / 600 Z-type towel capacity  
Cierre con llave en parte superior / Upper lock key

**CARACTERÍSTICAS / FEATURES**

Material ABS / ABS Material  
Seguridad en parte superior / Upper lock key  
Diámetro rollo 190 mm / Roll diameter 190 mm

SECAMANOS  
HAND DRYERS

SANITARIOS  
SANITARY PRODUCTS

SECADORES DE PELO  
HAIR DRYERS

MUEBLES COMPACTOS  
COMPACT FURNITURE

DISPENSADORES DE PAPEL  
PAPER DISPENSERS

FUENTES DE AGUA  
WATER DISPENSERS

DOSIFICADORES DE JABÓN  
SOAP DISPENSERS

AYUDA A LA MOVILIDAD  
MOBILITY SUPPORT

ACCESORIOS DE BAÑO  
WASHROOM ACCESSORIES

LAVAJOS Y DUCHAS  
EYE WASHERS & SHOWERS

PAPELERAS  
WASTE PAPER BINS

GRIFERÍA TEMPORIZADA  
TIMED TAPS

CAMBIAPANALES  
BABY CHANGING STATIONS

EXTERNADORES DE INSECTOS  
INSECT KILLERS

**Dosificadores de jabón**  
*Soap dispensers*



**CAMBIAPAÑALES**  
BABY CHANGING STATIONS

**EXTERMINADORES DE INSECTOS**  
INSECT KILLERS

**PAPELERAS**  
WASTE PAPER BINS

**GRIFERIA TEMPORIZADA**  
TIMED TAPS

**ACCESORIOS DE BAÑO**  
WASHROOM ACCESSORIES

**LAVAJOS Y DUCHAS**  
EYE WASHERS & SHOWERS

**DOSIFICADORES DE JABON**  
SOAP DISPENSERS

**AYUDAS A LA MOVILIDAD**  
MOBILITY SUPPORT

**DISPENSADORES DE PAPEL**  
PAPER DISPENSER

**FUENTES DE AGUA**  
WATER DISPENSERS

**SECADORES DE PELO**  
HAIR DRYERS

**MUEBLES COMPACTOS**  
COMPACT FURNITURE

**SECAMANOS**  
HAND DRYERS

**SANITARIOS**  
SANITARY PRODUCTS



**DOSIFICADOR DE JABÓN MANUAL**  
*MANUAL SOAP DISPENSER*



**Ref. GW04 01 04 01**  
 Acero inoxidable 304 / *AISI 304 Stainless steel*  
 Satinado / *Brushed*  
 Medidas / *Measurements 210 x 124 x 137 mm*

**Ref. GW04 01 04 02**  
 Acero inoxidable 304 / *AISI 304 Stainless steel*  
 Brillante / *Polished*  
 Medidas / *Measurements 210 x 124 x 137 mm*

**CARACTERÍSTICAS / FEATURES**

Vertical / *Vertical*  
 Capacidad 1.200 ml / *1.200 ml capacity*  
 Válvula anti goteo / *Anti-drip valve*  
 Visor de llenado / *Level viewer*



**DOSIFICADOR DE JABÓN MANUAL**  
*MANUAL SOAP DISPENSER*



**Ref. GW04 02 04 01**  
 Acero inoxidable 304 / *AISI 304 Stainless steel*  
 Satinado / *Brushed*  
 Medidas / *Measurements 124 x 210 x 137 mm*

**Ref. GW04 02 04 02**  
 Acero inoxidable 304 / *AISI 304 Stainless steel*  
 Brillante / *Polished*  
 Medidas / *Measurements 124 x 210 x 137 mm*

**CARACTERÍSTICAS / FEATURES**

Horizontal / *Horizontal*  
 Capacidad 1.200 ml / *1,200 ml capacity*  
 Válvula anti goteo / *Anti-drip valve*  
 Visor de llenado / *Level viewer*





**DOSIFICADOR DE JABÓN AUTOMÁTICO**  
*AUTOMATIC SOAP DISPENSER*



**Ref. GW04 20 04 01**

Acero inoxidable SUS 304 / *SUS 304 Stainless steel*

Satinado / *Brushed*

Capacidad / *Capacity 1.200 ml*

Medidas / *Measurements 210 x 140 x 100 mm*

**Ref. GW04 20 04 02**

Acero inoxidable SUS 304 / *SUS 304 Stainless steel*

Brillante / *Polished*

Capacidad / *Capacity 1.200 ml*

Medidas / *Measurements 210 x 140 x 100 mm*

**CARACTERÍSTICAS / FEATURES**

Funcionamiento automático / *Automatic operated*

Funcionamiento mediante 4 pilas AA / *Operated by 4 AA batteries*

Acero inoxidable SUS 304 / *SUS 304 Stainless Steel*

Dosis de 1ml / *1ml dose*

Válvula anti goteo / *Non drip pump mechanism*

Visor de llenado / *Level viewer*



**DOSIFICADOR DE JABÓN MANUAL**  
*MANUAL SOAP DISPENSER*



**Ref. GW04 21 04 01**

Acero inoxidable SUS 304 / *SUS 304 Stainless steel*

Satinado / *Brushed*

Capacidad / *Capacity 1.800 ml*

Medidas / *Measurements 210 x 140 x 120 mm*

**CARACTERÍSTICAS / FEATURES**

Funcionamiento manual / *Manual operated*

Acero inoxidable SUS 304 / *SUS 304 Stainless Steel*

Dosis de 1ml / *1ml dose*

Válvula anti goteo / *Non drip pump mechanism*

Visor de llenado / *Level viewer*

SECAMANOS  
HAND DRYERS

SECADORES DE PELO  
HAIR DRYERS

DISPENSADORES DE PAPEL  
PAPER DISPENSERS

DOSIFICADORES DE JABÓN  
SOAP DISPENSERS

ACCESORIOS DE BAÑO  
WASHROOM ACCESSORIES

PAPELERAS  
WASTE PAPER BINS

CAMBIAPANALES  
BABY CHANGING STATIONS

SANITARIOS  
SANITARY PRODUCTS

MUEBLES COMPACTOS  
COMPACT FURNITURE

FUENTES DE AGUA  
WATER DISPENSERS

AYUDA A LA MOVILIDAD  
MOBILITY SUPPORT

LAVAJOS Y DUCHAS  
EYE WASHERS & SHOWERS

GRIFERÍA TEMPORIZADA  
TIMED TAPS

EXTERMINADORES DE INSECTOS  
INSECT KILLERS



**DOSIFICADOR MANUAL**  
MANUAL DISPENSER

**Ref. GW04 03 04 01**

Dosificador de jabón manual / Manual soap dispenser

Satinado / Brushed

Medidas / Measurements 220 x 140 x 150 mm



**Ref. GW04 04 04 01**

Dosificador de espuma manual / Manual foam dispenser

Satinado / Brushed

Medidas / Measurements 220 x 140 x 150 mm



**DOSIFICADOR MANUAL**  
MANUAL DISPENSER

**Ref. GW04 03 04 02**

Dosificador de jabón manual / Manual soap dispenser

Brillante / Polished

Medidas / Measurements 220 x 140 x 150 mm



**Ref. GW04 04 04 02**

Dosificador de espuma manual / Manual foam dispenser

Brillante / Polished

Medidas / Measurements 220 x 140 x 150 mm



**CARACTERÍSTICAS / FEATURES**

Funcionamiento manual / Manual operated

Acero inoxidable 304 / AISI 304 Stainless steel

Capacidad 1.500 ml / 1,500 ml capacity

Válvula anti goteo / Anti-drip valve

Visor de llenado / Level viewer



**DOSIFICADOR DE JABÓN MANUAL**  
*MANUAL SOAP DISPENSER*



**Ref. GW04 07 03 00**

Blanco / *White*

Medidas / *Measurements 158 x 187 x 67 mm*



**DOSIFICADOR DE JABÓN MANUAL**  
*MANUAL SOAP DISPENSER*



**Ref. GW04 07 04 01**

Satinado / *Brushed*

Medidas / *Measurements 158 x 178 x 67 mm*

**Ref. GW04 07 04 02**

Brillante / *Polished*

Medidas / *Measurements 158 x 178 x 67 mm*

**CARACTERÍSTICAS / FEATURES**

Acero inoxidable 304 / *AISI 304 Stainless steel*

Capacidad 1.200 ml / *1.200 ml capacity*

Válvula anti goteo / *Anti-drip valve*

Visor de llenado / *Level viewer*

SECAMANOS  
HAND DRYERS

SECADORES DE PELO  
HAIR DRYERS

DISPENSADORES DE PAPEL  
PAPER DISPENSERS

DOSIFICADORES DE JABÓN  
SOAP DISPENSERS

ACCESORIOS DE BAÑO  
WASHROOM ACCESSORIES

PAPELERAS  
WASTE PAPER BINS

CAMBIAPANALES  
BABY CHANGING STATIONS

SANITARIOS  
SANITARY PRODUCTS

MUEBLES COMPACTOS  
COMPACT FURNITURE

FUENTES DE AGUA  
WATER DISPENSERS

AYUDA A LA MOVILIDAD  
MOBILITY SUPPORT

LAVAJOS Y DUCHAS  
EYE WASHERS & SHOWERS

GRIFERÍA TEMPORIZADA  
TIMED TAPS

EXTERNADORES DE INSECTOS  
INSECT KILLERS



**DOSIFICADOR DE JABÓN MANUAL**  
*MANUAL SOAP DISPENSER*



**Ref. GW04 06 04 01**  
 Satinado / *Brushed*  
 Medidas / *Measurements 250 x Ø 60 mm*

**Ref. GW04 06 04 02**  
 Brillante / *Polished*  
 Medidas / *Measurements 250 x Ø 60 mm*

**CARACTERÍSTICAS / FEATURES**

Funcionamiento manual / *Manual operated*  
 Acero inoxidable 304 / *AISI 304 Stainless steel*  
 Capacidad 300 ml / *300 ml capacity*  
 Depósito de plástico interior / *Inner plastic receptacle*



**DOSIFICADOR DE JABÓN MANUAL**  
*MANUAL SOAP DISPENSER*



**Ref. GW04 15 04 02**  
 Brillante / *Polished*  
 Tapa de zinc / *Zinc lid*  
 Medidas / *Measurements 168 x 80 x 156 mm*

**CARACTERÍSTICAS / FEATURES**

Manual / *Manual operated*  
 Acero inoxidable 304 / *304 Stainless steel*  
 Capacidad 300 ml / *300 ml capacity*  
 Depósito de plástico interior / *Inner plastic receptacle*



**DOSIFICADOR DE JABÓN MANUAL**  
**MANUAL SOAP DISPENSER**



**Ref. GW04 09 04 02**

Acero inoxidable 304 / *AISI 304 Stainless steel*  
 Instalación bajo encimera / *Under-counter installation*  
 Altura depósito 117mm / *Tank height 117mm*  
 Capacidad / *Capacity 500 ml*  
 Longitud caño / *Spout long 127 mm*  
 Altura vástago / *Stem height 90 mm*



**DOSIFICADOR DE JABÓN MANUAL**  
**MANUAL SOAP DISPENSER**



**Ref. GW04 10 01 00**

Polietileno / *Polyethylene*  
 Instalación bajo el mostrador / *Under-counter installation*  
 Altura depósito 198mm / *Tank height 198mm*  
 Capacidad / *Capacity 1.000 ml*  
 Longitud caño / *Spout long 127 mm*  
 Altura vástago / *Stem height 93 mm*



**DOSIFICADOR DE JABÓN MANUAL**  
**MANUAL SOAP DISPENSER**



**Ref. GW04 11 04 01**

Acero inoxidable 304 / *AISI 304 Stainless steel*  
 Satinado / *Brushed*  
 Encastrado / *Built-in*  
 Capacidad / *Capacity 1.200 ml*  
 Medidas / *Measurements 150 x 260 x 105 mm*  
 Medidas hueco / *Wall hole measurements 120 x 145 x 122 mm*

SECAMANOS  
 HAND DRYERS

SECADORES DE PELO  
 HAIR DRYERS

DISPENSADORES DE PAPEL  
 PAPER DISPENSERS

DOSIFICADORES DE JABÓN  
 SOAP DISPENSERS

ACCESORIOS DE BAÑO  
 WASHROOM ACCESSORIES

PAPELERAS  
 WASTE PAPER BINS

CAMBIAPANALES  
 BABY CHANGING STATIONS

MUEBLES COMPACTOS  
 COMPACT FURNITURE

FUENTES DE AGUA  
 WATER DISPENSERS

AYUDA A LA MOVILIDAD  
 MOBILITY SUPPORT

LAVAJOS Y DUCHAS  
 EYE WASHERS & SHOWERS

GRIFERÍA TEMPORIZADA  
 TIMED TAPS

EXTERNADORES DE INSECTOS  
 INSECT KILLERS

SANITARIOS  
 SANITARY PRODUCTS



**DOSIFICADOR MANUAL**  
*MANUAL DISPENSER*

**Ref. GW04 12 01 00**

ABS blanco / *White ABS*

Dosificador de jabón manual / *Manual soap dispenser*

Medidas / *Measurements 245 x 115 x 110 mm*



**DOSIFICADOR MANUAL**  
*MANUAL DISPENSER*

**Ref. GW04 12 01 04**

ABS plateado / *Silver ABS*

Dosificador de jabón manual / *Manual soap dispenser*

Medidas / *Measurements 245 x 115 x 110 mm*



**Ref. GW04 13 01 00**

ABS blanco / *White ABS*

Dosificador de espuma manual / *Manual foam dispenser*

Medidas / *Measurements 245 x 115 x 110 mm*



**Ref. GW04 13 01 04**

ABS plateado / *Silver ABS*

Dosificador de espuma manual / *Manual foam dispenser*

Medidas / *Measurements 245 x 115 x 110 mm*



**CARACTERÍSTICAS / FEATURES**

Capacidad 1.000 ml / *1,000 ml capacity*

Llave de seguridad en parte superior / *Upper lock key*



**DOSIFICADOR DE JABÓN AUTOMÁTICO**  
*AUTOMATIC SOAP DISPENSER*



**Ref. GW04 14 01 00**  
 ABS blanco / *White ABS*  
 Medidas / *Measurements 280 x 145 x 140 mm*



**DOSIFICADOR DE JABÓN AUTOMÁTICO**  
*AUTOMATIC SOAP DISPENSER*



**Ref. GW04 14 01 04**  
 ABS plateado / *Silver ABS*  
 Medidas / *Measurements 280 x 145 x 140 mm*

**CARACTERÍSTICAS / FEATURES**

Capacidad 1.100 ml / *1,100 ml capacity*  
 Funcionamiento mediante 4 pilas tipo "C" / *Operated by 4 "C" type batteries*

SECAMANOS HAND DRYERS	SANITARIOS SANITARY PRODUCTS
SECADORES DE PELO HAIR DRYERS	MUEBLES COMPACTOS COMPACT FURNITURE
DISPENSADORES DE PAPEL PAPER DISPENSERS	FUENTES DE AGUA WATER DISPENSERS
<b>DOSIFICADORES DE JABÓN SOAP DISPENSERS</b>	<b>AYUDA A LA MOVILIDAD MOBILITY SUPPORT</b>
ACCESORIOS DE BAÑO WASHROOM ACCESSORIES	LAVAJOS Y DUCHAS EYE WASHERS & SHOWERS
PAPELERAS WASTE PAPER BINS	GRIFERÍA TEMPORIZADA TIMED TAPS
CAMBIAPANALES BABY CHANGING STATIONS	EXTERNADORES DE INSECTOS INSECT KILLERS

**Accesorios de baño**  
*Washroom accessories*





**CAMBIAPÁÑALES**  
BABY CHANGING STATIONS

**EXTERMINADORES DE INSECTOS**  
INSECT KILLERS

**PAPELERAS**  
WASTE PAPER BINS

**GRIFERIA TEMPORIZADA**  
TIMED TAPS

**ACCESORIOS DE BAÑO**  
WASHROOM ACCESSORIES

**LAVAJOS Y DUCHAS**  
EYE WASHERS & SHOWERS

**DOSIFICADORES DE JABÓN**  
SOAP DISPENSERS

**AYUDAS A LA MOVILIDAD**  
MOBILITY SUPPORT

**DISPENSADORES DE PAPEL**  
PAPER DISPENSER

**FUENTES DE AGUA**  
WATER DISPENSERS

**SECADORES DE PELO**  
HAIR DRYERS

**MUEBLES COMPACTOS**  
COMPACT FURNITURE

**SECAMANOS**  
HAND DRYERS

**SANITARIOS**  
SANITARY PRODUCTS

## Cartago series

Zinc cromado / Chromed zinc



**PERCHA SIMPLE**  
*HANGER*

Ref. GW05 01 05 02



**VASO**  
*TUMBLER HOLDER*

Ref. GW05 02 05 02



**JABONERA**  
*SOAP HOLDER*

Ref. GW05 03 05 02



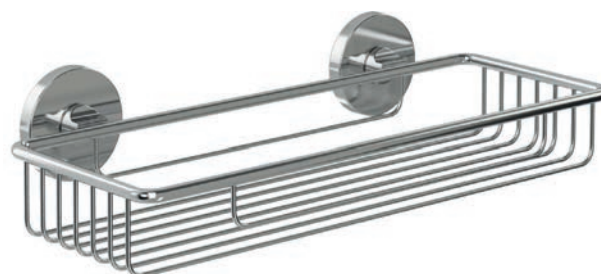
**JABONERA**  
*SOAP DISH*

Ref. GW05 04 05 02



**DOSIFICADOR DE JABÓN**  
*SOAP DISPENSER*

Ref. GW05 05 05 02

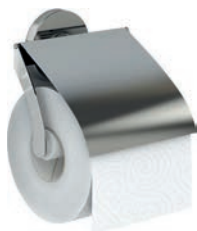


**JABONERA DUCHA**  
*SHOWER SOAP HOLDER*

Ref. GW05 06 05 02

## Cartago series

Zinc cromado / Chromed zinc



**PORTARROLLOS**  
PAPER HOLDER

Ref. GW05 07 05 02



**ESCOBILLERO**  
TOILET BRUSH

Ref. GW05 09 05 02



**RESERVA**  
PAPER HOLDER

Ref. GW05 08 05 02



**TOALLERO ANILLA**  
TOWEL RING

Ref. GW05 10 05 02



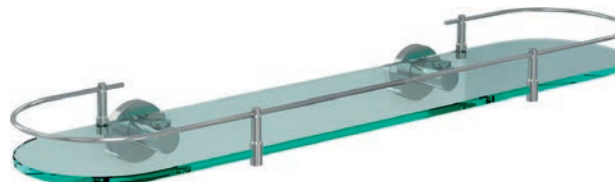
**TOALLERO BARRA 570 MM**  
TOWEL BAR 570 MM

Ref. GW05 11 05 02



**TOALLERO BARRA DOBLE 570 MM**  
DOUBLE TOWEL BAR 570 MM

Ref. GW05 12 05 02



**REPISA**  
GLASS SHELF

Ref. GW05 13 05 02

SECAMANOS  
HAND DRYERS

SANITARIOS  
SANITARY PRODUCTS

SECADORES DE PELO  
HAIR DRYERS

MUEBLES COMPACTOS  
COMPACT FURNITURE

DISPENSADORES DE PAPEL  
PAPER DISPENSERS

FUENTES DE AGUA  
WATER DISPENSERS

DOSIFICADORES DE JABÓN  
SOAP DISPENSERS

AYUDA A LA MOVILIDAD  
MOBILITY SUPPORT

ACCESORIOS DE BAÑO  
WASHROOM ACCESSORIES

LAVAJOS Y DUCHAS  
EYE WASHERS & SHOWERS

PAPELERAS  
WASTE PAPER BINS

GRIFERÍA TEMPORIZADA  
TIMED TAPS

CAMBIAPANIALES  
BABY CHANGING STATIONS

EXTERMINADORES DE INSECTOS  
INSECT KILLERS

## Gerunda series

Acero inoxidable 304 / AISI 304 Stainless steel



**PERCHA DOBLE**  
*DOUBLE HANGER*

Ref. GW05 01 04 01



**VASO**  
*TUMBLER HOLDER*

Ref. GW05 02 04 01



**JABONERA**  
*SOAP HOLDER*

Ref. GW05 03 04 01



**JABONERA**  
*SOAP DISH*

Ref. GW05 04 04 01



**DOSIFICADOR DE JABÓN**  
*SOAP DISPENSER & HOLDER*

Ref. GW05 05 04 01



**PORTARROLLOS**  
*PAPER DISPENSER*

Ref. GW05 06 04 01

## Gerunda series

Acero inoxidable 304 / AISI 304 Stainless steel



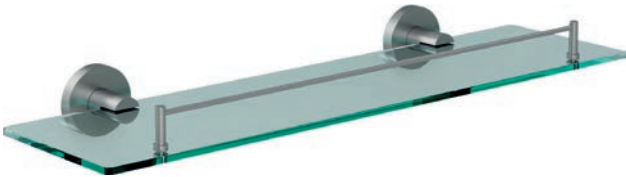
**TOALLERO ANILLA**  
*TOWEL RING*

Ref. GW05 08 04 01



**TOALLERO BARRA 555 MM**  
*TOWEL BAR 555 MM*

Ref. GW05 09 04 01



**REPISA**  
*GLASS SHELF*

Ref. GW05 11 04 01



**TOALLERO REPISA**  
*TOWEL SHELF*

Ref. GW05 12 04 01



**ESCOBILLERO**  
*TOILET BRUSH*

Ref. GW05 07 04 01



**PORTARROLLOS DE RESERVA**  
*PAPER HOLDER*

Ref. GW05 25 04 01



**TOALLERO BARRA DOBLE 555 MM**  
*DOUBLE TOWEL BAR 555 MM*

Ref. GW05 10 04 01

SECAMANOS  
HAND DRYERS

SANITARIOS  
SANITARY PRODUCTS

SECADORES DE PELO  
HAIR DRYERS

MUEBLES COMPACTOS  
COMPACT FURNITURE

DISPENSADORES DE PAPEL  
PAPER DISPENSERS

FUENTES DE AGUA  
WATER DISPENSERS

DOSIFICADORES DE JABÓN  
SOAP DISPENSERS

AYUDA A LA MOVILIDAD  
MOBILITY SUPPORT

ACCESORIOS DE BAÑO  
WASHROOM ACCESSORIES

LAVAJOS Y DUCHAS  
EYE WASHERS & SHOWERS

PAPELERAS  
WASTE PAPER BINS

GRIFERIA TEMPORIZADA  
TIMED TAPS

CAMBIAPANALES  
BABY CHANGING STATIONS

EXTERNADORES DE INSECTOS  
INSECT KILLERS

## Formentera series

Acero inoxidable 304 / AISI 304 Stainless steel



**PERCHA SIMPLE**  
*HANGER*

Ref. GW05 13 04 01



**VASO**  
*TUMBLER HOLDER*

Ref. GW05 14 04 01



**JABONERA**  
*SOAP HOLDER*

Ref. GW05 15 04 01



**JABONERA**  
*SOAP DISH*

Ref. GW05 16 04 01



**DOSIFICADOR DE JABÓN**  
*SOAP DISPENSER & HOLDER*

Ref. GW05 17 04 01



**PORTAROLLOS**  
*PAPER DISPENSER*

Ref. GW05 18 04 01

## Formentera series

Acero inoxidable 304 / AISI 304 Stainless steel



**ESCOBILLERO**  
TOILET BRUSH

Ref. GW05 19 04 01



**TOALLERO ANILLA**  
TOWEL RING

Ref. GW05 20 04 01



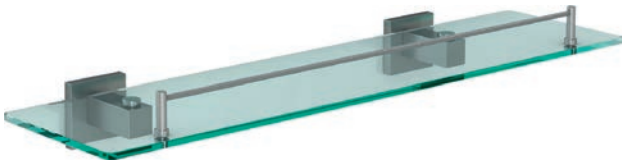
**TOALLERO BARRA 555 MM**  
TOWEL BAR 555 MM

Ref. GW05 21 04 01



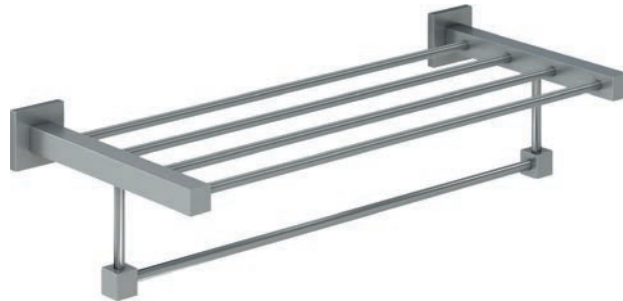
**TOALLERO BARRA DOBLE 555 MM**  
DOUBLE TOWEL BAR 555 MM

Ref. GW05 22 04 01



**REPISA**  
GLASS SHELF

Ref. GW05 23 04 01



**TOALLERO REPISA**  
TOWEL SHELF

Ref. GW05 24 04 01

SECAMANOS  
HAND DRYERS

SANITARIOS  
SANITARY PRODUCTS

SECADORES DE PELO  
HAIR DRYERS

MUEBLES COMPACTOS  
COMPACT FURNITURE

DISPENSADORES DE PAPEL  
PAPER DISPENSERS

FUENTES DE AGUA  
WATER DISPENSERS

DOSIFICADORES DE JABÓN  
SOAP DISPENSERS

AYUDA A LA MOVILIDAD  
MOBILITY SUPPORT

ACCESORIOS DE BAÑO  
WASHROOM ACCESSORIES

LAVAJOS Y DUCHAS  
EYE WASHERS & SHOWERS

PAPELERAS  
WASTE PAPER BINS

GRIFERÍA TEMPORIZADA  
TIMED TAPS

CAMBIAPANALES  
BABY CHANGING STATIONS

EXTERMINADORES DE INSECTOS  
INSECT KILLERS

## Italica series

Latón cromado / Chromed brass



**PERCHA SIMPLE**  
*HANGER*

Ref. GW05 01 06 02



**VASO**  
*TUMBLER HOLDER*

Ref. GW05 02 06 02



**JABONERA**  
*SOAP HOLDER*

Ref. GW05 03 06 02



**JABONERA**  
*SOAP DISH*

Ref. GW05 04 06 02



**PORTARROLLOS**  
*PAPER DISPENSER*

Ref. GW05 05 06 02



**TOALLERO ANILLA**  
*TOWEL RING*

Ref. GW05 07 06 02



**Italica series**  
 Laton cromado / Chromed brass



**TOALLERO BARRA 575 MM**  
 TOWEL BAR 575 MM

Ref. GW05 08 06 02



**REPISA**  
 GLASS SHELF

Ref. GW05 10 06 02



**TOALLERO BARRA DOBLE 575 MM**  
 DOUBLE TOWER BAR 575 MM

Ref. GW05 09 06 02



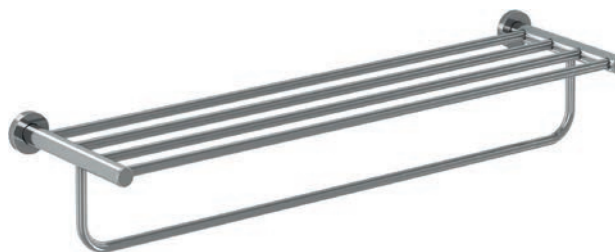
**RESERVA LATÓN**  
 RESERVE PAPER HOLDER

Ref. GW05 28 06 02



**ESCOBILLERO**  
 TOILET BRUSH

Ref. GW05 06 06 02



**TOALLERO REPISA**  
 TOWEL SHELF

Ref. GW05 11 06 02

SECAMANOS  
 HAND DRYERS

SANITARIOS  
 SANITARY PRODUCTS

SECADORES DE PELO  
 HAIR DRYERS

MUEBLES COMPACTOS  
 COMPACT FURNITURE

DISPENSADORES DE PAPEL  
 PAPER DISPENSERS

FUENTES DE AGUA  
 WATER DISPENSERS

DOSIFICADORES DE JABÓN  
 SOAP DISPENSERS

AYUDA A LA MOVILIDAD  
 MOBILITY SUPPORT

ACCESORIOS DE BAÑO  
 WASHROOM ACCESSORIES

LAVAJOS Y DUCHAS  
 EYE WASHERS & SHOWERS

PAPELERAS  
 WASTE PAPER BINS

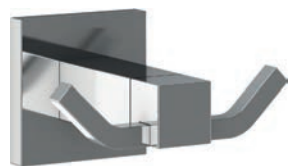
GRIFERÍA TEMPORIZADA  
 TIMED TAPS

CAMBIAPANALES  
 BABY CHANGING STATIONS

EXTERMINADORES DE INSECTOS  
 INSECT KILLERS

## Lucentum series

Latón cromado / Chromed brass



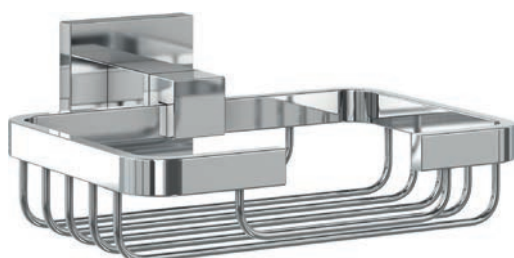
**PERCHA DOBLE**  
*DOUBLE HANGER*

Ref. GW05 12 06 02



**VASO**  
*TUMBLER HOLDER*

Ref. GW05 13 06 02



**JABONERA**  
*SOAP HOLDER*

Ref. GW05 14 06 02



**JABONERA**  
*SOAP DISH*

Ref. GW05 15 06 02



**ESCOBILLERO**  
*TOILET BRUSH*

Ref. GW05 16 06 02



**PORTARROLLOS**  
*PAPER DISPENSER*

Ref. GW05 17 06 02

## Lucentum series

Latón cromado / Chromed brass



**TOALLERO BARRA 585 MM**  
TOWEL BAR 585 MM

Ref. GW05 18 06 02



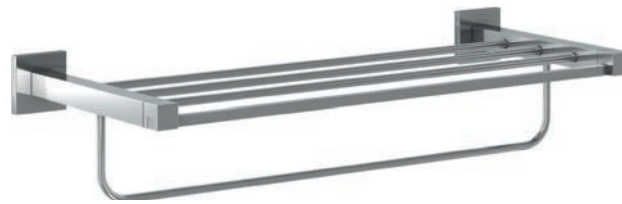
**TOALLERO BARRA DOBLE 585 MM**  
DOUBLE TOWEL BAR 585 MM

Ref. GW05 19 06 02



**REPISA**  
TOWEL SHELF

Ref. GW05 20 06 02



**TOALLERO REPISA**  
TOWEL SHELF

Ref. GW05 21 06 02

SECAMANOS  
HAND DRYERS

SANITARIOS  
SANITARY PRODUCTS

SECADORES DE PELO  
HAIR DRYERS

MUEBLES COMPACTOS  
COMPACT FURNITURE

DISPENSADORES DE PAPEL  
PAPER DISPENSERS

FUENTES DE AGUA  
WATER DISPENSERS

DISPENSADORES DE JABÓN  
SOAP DISPENSERS

AYUDA A LA MOVILIDAD  
MOBILITY SUPPORT

ACCESORIOS DE BAÑO  
WASHROOM ACCESSORIES

LAVAJOS Y DUCHAS  
EYE WASHERS & SHOWERS

PAPELERAS  
WASTE PAPER BINS

GRIFERÍA TEMPORIZADA  
TIMED TAPS

CAMBIAPANALES  
BABY CHANGING STATIONS

EXTERMINADORES DE INSECTOS  
INSECT KILLERS



**MANILLÓN 135°**  
SUPPORT GRAB BAR

Ref. GW05 22 06 02  
Latón cromado / *Chromed brass*  
Diámetro 25 mm / *25 mm tube diameter*  
Medidas / *Measurements 195 x 400 x 120 mm*



**MANILLÓN 135° CON JABONERA**  
SUPPORT GRAB BAR WITH SOAP DISH

Ref. GW05 23 06 02  
Latón cromado / *Chromed brass*  
Diámetro 25 mm / *25 mm tube diameter*  
Medidas / *Measurements 195 x 400 x 120 mm*



**BARRA RECTA**  
STRAIGHT BAR

Ref. GW05 34 04 02  
Acero inoxidable 304 / *AISI 304 Stainless steel*  
Diámetro 25 mm / *25 mm tube diameter*  
Largo / *Long 350 mm*

Ref. GW05 35 04 02  
Largo / *Long 500 mm*



**JABONERA RECTANGULAR**  
RECTANGULAR SOAP DISH

Ref. GW05 24 06 02

Latón cromado / Chromed brass

Medidas / Measurements 70 x 255 x 128 mm



**JABONERA RECTANGULAR**  
RECTANGULAR SOAP DISH

Ref. GW05 25 04 02

Acero inoxidable 304 / AISI 304 Stainless steel

Medidas / Measurements 34 x 155 x 114 mm



**JABONERA TRIANGULAR**  
TRIANGULAR SOAP DISH

Ref. GW05 26 06 02

Latón cromado / Chromed brass

Medidas / Measurements 55 x 295 x 205 mm



**JABONERA TRIANGULAR**  
TRIANGULAR SOAP DISH

Ref. GW05 27 04 02

Acero inoxidable 304 / AISI 304 Stainless steel

Medidas / Measurements 47,5 x 180 x 180 mm

SECAMANOS  
HAND DRYERS

SANITARIOS  
SANITARY PRODUCTS

SECADORES DE PELO  
HAIR DRYERS

MUEBLES COMPACTOS  
COMPACT FURNITURE

DISPENSADORES DE PAPEL  
PAPER DISPENSERS

FUENTES DE AGUA  
WATER DISPENSERS

DOSIFICADORES DE JABÓN  
SOAP DISPENSERS

AYUDA A LA MOVILIDAD  
MOBILITY SUPPORT

ACCESORIOS DE BAÑO  
WASHROOM ACCESSORIES

LAVAJOS Y DUCHAS  
EYE WASHERS & SHOWERS

PAPELERAS  
WASTE PAPER BINS

GRIFERÍA TEMPORIZADA  
TIMED TAPS

CAMBIAPANALES  
BABY CHANGING STATIONS

EXTERNADORES DE INSECTOS  
INSECT KILLERS



**ESCOBILLERO**  
*TOILET BRUSH*

**Ref. GW05 28 04 02**  
Acero inoxidable 304 / *AISI 304 stainless steel*  
Brillante / *Polished*  
Medidas / *Measurements 328 x Ø 76,5*



**ESCOBILLERO**  
*TOILET BRUSH*

**Ref. GW05 38 04 01**  
Acero inoxidable 304 / *AISI 304 stainless steel*  
Satinado / *Brushed*  
Medidas / *Measurements 328 x Ø 76,5 mm*



**PORTARROLLOS**  
*PAPER DISPENSER*

**Ref. GW05 36 04 02**  
Acero inoxidable AISI 304 / *AISI 304 stainless steel*



**ESPEJO CON AUMENTO**  
MAGNIFYING MIRROR

Ref. GW05 30 06 02

Latón cromado / Chromed brass

Aumento / Magnifying x3



**ESPEJO CON AUMENTO Y LUZ LED**  
MAGNIFYING MIRROR WITH LED LIGHT

Ref. GW05 31 06 02

Latón cromado / Chromed brass

Aumento / Magnifying x3



**PERCHERO 4 COLGADORES**  
4 X 1 HANGER

Ref. GW05 32 05 02

Zinc cromado / Chromed zinc

Medidas / Measurements 45 x 240 x 44 mm



**TENEDERO RETRÁCTIL**  
CLOTHES LINE

Ref. GW05 29 04 02

Acero inoxidable 304 / AISI 304 Stainless steel

Longitud cuerda / Cord length 2,75m

Medidas / Measurements Ø 91 x 27



**PERCHA SIMPLE**  
BASIC HANGER

Ref. GW05 33 05 01

Zinc cromado / Chromed zinc

Medidas / Measurements 65 x 19 x 29 mm

SECAMANOS  
HAND DRYERS

SANITARIOS  
SANITARY PRODUCTS

SECADORES DE PELO  
HAIR DRYERS

MUEBLES COMPACTOS  
COMPACT FURNITURE

DISPENSADORES DE PAPEL  
PAPER DISPENSERS

FUENTES DE AGUA  
WATER DISPENSERS

DOSIFICADORES DE JABÓN  
SOAP DISPENSERS

AYUDA A LA MOVILIDAD  
MOBILITY SUPPORT

ACCESORIOS DE BAÑO  
WASHROOM ACCESSORIES

LAVAJOS Y DUCHAS  
EYE WASHERS & SHOWERS

PAPELERAS  
WASTE PAPER BINS

GRIFERÍA TEMPORIZADA  
TIMED TAPS

CAMBIAPANALES  
BABY CHANGING STATIONS

EXTERMINADORES DE INSECTOS  
INSECT KILLERS

**Papeleras**  
*Wastepaper bins*





**CAMBIAPANALES**  
BABY CHANGING STATIONS

**EXTERNADORES DE INSECTOS**  
INSECT KILLERS

**PAPELERAS**  
WASTE PAPER BINS

**GRIFERIA TEMPORIZADA**  
TIMED TAPS

**ACCESORIOS DE BAÑO**  
WASHROOM ACCESSORIES

**LAVAJOS Y DUCHAS**  
EYE WASHERS & SHOWERS

**DOSIFICADORES DE JABON**  
SOAP DISPENSERS

**AYUDAS A LA MOVILIDAD**  
MOBILITY SUPPORT

**DISPENSADORES DE PAPEL**  
PAPER DISPENSER

**FUENTES DE AGUA**  
WATER DISPENSERS

**SECADORES DE PELO**  
HAIR DRYERS

**MUEBLES COMPACTOS**  
COMPACT FURNITURE

**SECAMANOS**  
HAND DRYERS

**SANITARIOS**  
SANITARY PRODUCTS



**PAPELERA EN ACERO EPOXI BLANCO**  
*WHITE EPOXY STEEL WASTEPAPER BIN*

**Ref. GW06 01 03 00**

Capacidad / Capacity 3 L

Medidas / Measurements 270 x Ø 167 mm

**Ref. GW06 02 03 00**

Capacidad / Capacity 5 L

Medidas / Measurements 284 x Ø 203 mm

**Ref. GW06 03 03 00**

Capacidad / Capacity 12 L

Medidas / Measurements 400 x Ø 248 mm

**Ref. GW06 04 03 00**

Capacidad / Capacity 20 L

Medidas / Measurements 445 x Ø 292 mm



**PAPELERA EN ACERO INOXIDABLE 410 SATINADO**  
*BRUSHED AISI 410 STAINLESS STEEL WASTEPAPER BIN*

**Ref. GW06 01 04 01**

Capacidad / Capacity 3 L

Medidas / Measurements 270 x Ø 167 mm

**Ref. GW06 02 04 01**

Capacidad / Capacity 5 L

Medidas / Measurements 284 x Ø 203 mm

**Ref. GW06 03 04 01**

Capacidad / Capacity 12 L

Medidas / Measurements 400 x Ø 248 mm

**Ref. GW06 04 04 01**

Capacidad / Capacity 20 L

Medidas / Measurements 445 x Ø 292 mm

**CARACTERÍSTICAS / FEATURES**

Cubo interior extraíble de plástico con asa / Removable interior plastic bin with handle



**PAPELERA EN ACERO INOXIDABLE 410 BRILLANTE**  
**POLISHED AISI 410 STAINLESS STEEL WASTEPAPER BIN**

**Ref. GW06 01 04 02**

Capacidad / Capacity 3 L

Medidas / Measurements 270 x Ø 167 mm

**Ref. GW06 02 04 02**

Capacidad / Capacity 5 L

Medidas / Measurements 284 x Ø 203 mm

**Ref. GW06 03 04 02**

Capacidad / Capacity 12 L

Medidas / Measurements 400 x Ø 248 mm

**Ref. GW06 04 04 02**

Capacidad / Capacity 20 L

Medidas / Measurements 445 x Ø 292 mm

**CARACTERÍSTICAS / FEATURES**

Cubo interior extraíble de plástico con asa / Removable interior plastic bin with handle

SECAMANOS  
HAND DRYERS

SECADORES DE PELO  
HAIR DRYERS

DISPENSADORES DE PAPEL  
PAPER DISPENSERS

DOSIFICADORES DE JABÓN  
SOAP DISPENSERS

ACCESORIOS DE BAÑO  
WASHROOM ACCESSORIES

PAPELERAS  
WASTEPAPER BINS

CAMBIAPANALES  
BABY CHANGING STATIONS

SANITARIOS  
SANITARY PRODUCTS

MUEBLES COMPACTOS  
COMPACT FURNITURE

FUENTES DE AGUA  
WATER DISPENSERS

AYUDA A LA MOVILIDAD  
MOBILITY SUPPORT

LAVAJOS Y DUCHAS  
EYE WASHERS & SHOWERS

GRIFERÍA TEMPORIZADA  
TIMED TAPS

EXTERMINADORES DE INSECTOS  
INSECT KILLERS



**PAPELERA ABIERTA**  
*OPEN WASTEPAPER BIN*

**Ref. GW06 07 04 01**  
 Acero inoxidable 430 / *AISI 430 stainless steel*  
 Satinado / *Brushed*  
 Especial para habitaciones de hotel  
*Suitable for hotel rooms*  
 Capacidad / *Capacity 9 L*  
 Medidas / *Measurements 300 x Ø 200 mm*



**PAPELERA CON TAPA BASCULANTE**  
*WASTEPAPER BIN WITH TILTING LID*

**Ref. GW06 24 04 01**  
 Acero inoxidable 430 / *AISI 430 stainless steel*  
 Satinado / *Brushed*  
 Especial para habitaciones de hotel  
*Suitable for hotels rooms*  
 Capacidad / *Capacity 9 L*  
 Medidas / *Measurements 300 x Ø 200 mm*



**PAPELERA PUSH**  
*PUSH WASTE BIN*

**Ref. GW06 06 04 01**  
 Acero inoxidable 201 satinado / *Brushed AISI 201 stainless steel*  
 Capacidad / *Capacity 40 L*  
 Medidas / *Measurements 740 x Ø 350 mm*

CAMBIAPANALES BABY CHANGING STATIONS	PAPELERAS WASTEPAPER BINS	ACCESORIOS DE BAÑO WASHROOM ACCESSORIES	DOSIFICADORES DE JABÓN SOAP DISPENSERS	DISPENSADORES DE PAPEL PAPER DISPENSERS	SECADORES DE PELO HAIR DRYERS	SECAMANOS HAND DRYERS
EXTERMINADORES DE INSECTOS INSECT KILLERS	GRIFERÍA TEMPORIZADA TIMED TAPS	LAVAJOS Y DUCHAS EYE WASHERS & SHOWERS	AYUDA A LA MOVILIDAD MOBILITY SUPPORT	FUENTES DE AGUA WATER DISPENSERS	MUEBLES COMPACTOS COMPACT FURNITURE	SANITARIOS SANITARY PRODUCTS



**PAPELERA CON CENICERO**  
*WASTEPAPER BIN WITH ASHTRAY*

**Ref. GW06 10 04 02**  
 Acero inox 201 / *AISI 201 stainless steel*  
 Satinado / *Brushed*  
 Capacidad / *Capacity 30 L*  
 Medidas / *Measurements 610 x Ø 250 mm*



**CENICERO MURAL**  
*WALL MOUNTED ASHTRAY*



**Ref. GW06 12 02 01**  
 Aluminio / *Aluminium*  
 Satinado / *Brushed*  
**Llave de apertura inferior de seguridad**  
*Lower opening with security key*  
 Capacidad / *Capacity 2.5 L*  
 Medidas / *Measurements 480 x Ø 80 mm*



**COMPRESERO MURAL**  
WALL MOUNTED SANITARY NAPKIN BIN

**Ref. GW06 15 04 01**  
Acero inoxidable 304 / AISI 304 stainless steel  
Satinado / Brushed  
Medidas / Measurements 280 x 200 x 98 mm



**PAPELERA MURAL**  
WALL MOUNTED PAPER DISPENSER

**Ref. GW06 13 04 01**  
Acero inoxidable 304 / AISI 304 stainless steel  
Satinado / Brushed  
Capacidad / Capacity 7 L  
Medidas / Measurements 229 x 270 x 125 mm

**Ref. GW06 14 04 01**  
Acero inoxidable 304 / AISI 304 stainless steel  
Satinado / Brushed  
Capacidad / Capacity 23 L  
Medidas / Measurements 435 x 360 x 160 mm

**PAPELERA PARA COMPRESAS**  
SANITARY NAPKIN BIN

**Ref. GW06 20 01 00**  
Polipropileno inyectado / Injected Polypropylene  
Capacidad / Capacity 37 L  
Medidas / Measurements 360 x 180 x 570 mm

SECAMANOS  
HAND DRYERS

SANITARIOS  
SANITARY PRODUCTS

SECADORES DE PELO  
HAIR DRYERS

MUEBLES COMPACTOS  
COMPACT FURNITURE

DISPENSADORES DE PAPEL  
PAPER DISPENSERS

FUENTES DE AGUA  
WATER DISPENSERS

DISPENSADORES DE JABÓN  
SOAP DISPENSERS

AYUDA A LA MOVILIDAD  
MOBILITY SUPPORT

ACCESORIOS DE BAÑO  
WASHROOM ACCESSORIES

LAVAJOS Y DUCHAS  
EYE WASHERS & SHOWERS

PAPELERAS  
WASTEPAPER BINS

GRIFERÍA TEMPORIZADA  
TIMED TAPS

CAMBIAPANALES  
BABY CHANGING STATIONS

EXTERMINADORES DE INSECTOS  
INSECT KILLERS



**PAPELERA DE GRAN CAPACIDAD**  
*LARGE CAPACITY WASTE BIN*



**Ref. GW06 16 02 01**

Aluminio / Aluminium

Papelera interior de polipropileno incluida

*Polypropylene liner included*

Tratamiento anti-huella / Anti-print treatment

Capacidad / Capacity 70 L

Medidas / Measurements 775 x Ø 380 mm

**Ref. GW06 17 02 01**

Aluminio / Aluminium

Papelera interior de polipropileno incluida

*Polypropylene liner included*

Tratamiento anti-huella / Anti-print treatment

Capacidad / Capacity 130 L

Medidas / Measurements 830 x Ø 508 mm



**PAPELERA DE GRAN CAPACIDAD**  
*LARGE CAPACITY WASTE BIN*



**Ref. GW06 19 04 01**

Acero inoxidable AISI 430 / AISI 430 stainless steel

Papelera interior de polipropileno

*Polypropylene liner included*

Estructura antivandálica con cierre frontal

*Anti-vandalism structure with lock on front door*

Tratamiento anti-huella / Anti-print treatment

Medidas / Measurements 860 x 520 x 515 mm





**PAPELERA RECICLAJE**  
*RECYCLING WASTE BIN*



**Ref. GW06 18 02 01**

Aluminio / Aluminium

2 papeleras de polipropileno 60 + 60 L

*2 polypropylene waste bins included 60+60L*

Tratamiento anti-huella / Anti-print treatment

Medidas / Measurements 830 x Ø 508 mm



**PAPELERA CON 3 DIVISORES PARA RECICLAJE**  
*3 COMPARTMENT RECYCLING BIN*

**Ref. GW06 27 02 01**

Aluminio / Aluminium

Satinado / Brushed

Cubetas interiores metálicas resistentes al fuego

*Fire resistant containers inside main bin*

Tratamiento anti-huella / Anti-print treatment

Capacidad / Capacity 60 + 30 + 30 L

Medidas / Measurements 830 x Ø 508 mm

CAMBIAPAÑALES  
 BABY CHANGING STATIONS

PAPELERAS  
 WASTEPAPER BINS

ACCESORIOS DE BAÑO  
 WASHROOM ACCESSORIES

DOSIFICADORES DE JABÓN  
 SOAP DISPENSERS

DISPENSADORES DE PAPEL  
 PAPER DISPENSERS

SECADORES DE PELO  
 HAIR DRYERS

SECAMANOS  
 HAND DRYERS

EXTERNADORES DE INSECTOS  
 INSECT KILLERS

GRIFERÍA TEMPORIZADA  
 TIMED TAPS

LAVAJOS Y DUCHAS  
 EYE WASHERS & SHOWERS

AYUDA A LA MOVILIDAD  
 MOBILITY SUPPORT

FUENTES DE AGUA  
 WATER DISPENSERS

MUEBLES COMPACTOS  
 COMPACT FURNITURE

SANITARIOS  
 SANITARY PRODUCTS

**Cambiapañales**  
*Baby changing stations*



**CAMBIAPÁÑALES**  
BABY CHANGING STATIONS

**EXTERNADORES DE INSECTOS**  
INSECT KILLERS

**PAPELERAS**  
WASTE PAPER BINS

**GRIFERIA TEMPORIZADA**  
TIMED TAPS

**ACCESORIOS DE BAÑO**  
WASHROOM ACCESSORIES

**LAVAJOS Y DUCHAS**  
EYE WASHERS & SHOWERS

**DOSIFICADORES DE JABÓN**  
SOAP DISPENSERS

**AYUDAS A LA MOVILIDAD**  
MOBILITY SUPPORT

**DISPENSADORES DE PAPEL**  
PAPER DISPENSER

**FUENTES DE AGUA**  
WATER DISPENSERS

**SECADORES DE PELO**  
HAIR DRYERS

**MUEBLES COMPACTOS**  
COMPACT FURNITURE

**SECAMANOS**  
HAND DRYERS

**SANITARIOS**  
SANITARY PRODUCTS



**CAMBIAPAÑALES**  
*BABY CHANGING STATION*

**Ref. GW07 01 01 00**  
Blanco / *White*  
Instalación horizontal / *Horizontal installation*  
Medidas (abierto) / *Measurements (opened)* 390 x 871 x 446 mm



**CAMBIAPAÑALES**  
*BABY CHANGING STATION*

**Ref. GW07 02 01 00**  
Blanco / *White*  
Instalación vertical / *Vertical installation*  
Medidas (abierto) / *Measurements (opened)* 789 x 489 x 814 mm

**CARACTERÍSTICAS / FEATURES**

Mural / *Surface mounted*  
 Polietileno de gran densidad / *Durable high density polyethylene*  
 Antibacteriano / *Inherently bacterial resistant*  
 Cinturón de seguridad ajustable con una mano / *Safety belt adjustable with one hand*  
 Fácil de limpiar / *Easy to clean*  
 Peso máximo soportado de 22,7 Kg / *Supports up to 22.7 Kg*  
 Cumplimiento con normativa ASTM F2285, EN 12.221:2008 y EN 71-3:1995 / *According to ASTM F2285, EN 12.221:2008 and EN 71-3:1995 standard*



**CAMBIAPAÑALES**  
BABY CHANGING STATION



**Ref. GW07 03 04 02**  
Brillante / Polished  
Mural / Surface mounted  
Instalación horizontal / Horizontal installation  
Medidas (abierto) / Measurements (opened) 551 x 956 x 436 mm



**CAMBIAPAÑALES**  
BABY CHANGING STATION



**Ref. GW07 04 04 02**  
Brillante / Polished  
Encastrado / Built-in installation  
Instalación horizontal / Horizontal installation  
Medidas (abierto) / Measurements (opened) 551 x 956 x 436 mm

**CARACTERÍSTICAS / FEATURES**

Cubierta en acero inoxidable 304 / Casing manufactured in AISI 304 stainless steel  
Cinturón de seguridad ajustable con una mano  
Safety belt adjustable with one hand  
Fácil de limpiar / Easy to clean  
Diseño moderno / Modern design  
Cumplimiento con normativa ASTM F2285, EN 12.221:2008 y EN 71-3:1995 / According to ASTM F2285, EN 12.221:2008 and EN 71-3:1995 standard

SECAMANOS  
HAND DRYERS

SANITARIOS  
SANITARY PRODUCTS

SECADORES DE PELO  
HAIR DRYERS

MUEBLES COMPACTOS  
COMPACT FURNITURE

DISPENSADORES DE PAPEL  
PAPER DISPENSERS

FUENTES DE AGUA  
WATER DISPENSERS

DISPENSADORES DE JABÓN  
SOAP DISPENSERS

AYUDA A LA MOVILIDAD  
MOBILITY SUPPORT

ACCESORIOS DE BAÑO  
WASHROOM ACCESSORIES

LAVAJOS Y DUCHAS  
EYE WASHERS & SHOWERS

PAPELERAS  
WASTE PAPER BINS

GRIFERÍA TEMPORIZADA  
TIMED TAPS

CAMBIAPAÑALES  
BABY CHANGING STATIONS

EXTERNADORES DE INSECTOS  
INSECT KILLERS

**SANITARIOS**  
***SANITARY PRODUCTS***



**CAMBIAPÁÑALES**  
BABY CHANGING STATIONS

**EXTERMINADORES DE INSECTOS**  
INSECT KILLERS

**PAPELERAS**  
WASTE PAPER BINS

**GRIFERIA TEMPORIZADA**  
TIMED TAPS

**ACCESORIOS DE BAÑO**  
WASHROOM ACCESSORIES

**LAVAJOS Y DUCHAS**  
EYE WASHERS & SHOWERS

**DOSIFICADORES DE JABON**  
SOAP DISPENSERS

**AYUDAS A LA MOVILIDAD**  
MOBILITY SUPPORT

**DISPENSADORES DE PAPEL**  
PAPER DISPENSER

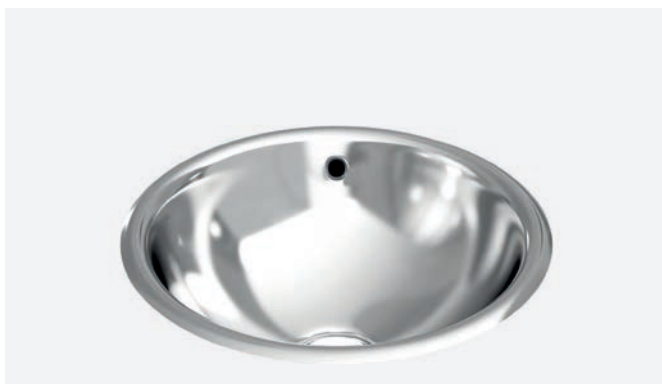
**FUENTES DE AGUA**  
WATER DISPENSERS

**SECADORES DE PELO**  
HAIR DRYERS

**MUEBLES COMPACTOS**  
COMPACT FURNITURE

**SECAMANOS**  
HAND DRYERS

**SANITARIOS**  
SANITARY PRODUCTS



**LAVAMANOS ESFÉRICO PARA ENCASTRAR**  
*BUILT-IN ROUND WASHBASIN*

**Ref. GW08 11 04 02**

Sin rebosadero / Ala curvada / *Without overflow / curved wing*

**Ref. GW08 12 04 02**

Con rebosadero / Ala curvada / *With overflow / curved wing*

**Ref. GW08 17 04 02**

Sin rebosadero / Ala plana / *Without overflow / flat wing*

**Ref. GW08 18 04 02**

Con rebosadero / Ala plana / *With overflow / flat wing*

**CARACTERÍSTICAS / FEATURES**

1 mm acero inoxidable 304 brillante

*1 mm polished AISI 304 stainless steel*

Diámetro exterior 305 mm / *Exterior diameter 305 mm*

Diámetro interior 265 mm / *Interior diameter 265 mm*



**LAVAMANOS ESFÉRICO PARA ENCASTRAR**  
*BUILT-IN ROUND WASHBASIN*

**Ref. GW08 13 04 02**

Sin rebosadero / Ala curvada / *Without overflow / curved wing*

**Ref. GW08 14 04 02**

Con rebosadero / Ala curvada / *With overflow / curved wing*

**Ref. GW08 19 04 02**

Sin rebosadero / Ala plana / *Without overflow / flat wing*

**Ref. GW08 20 04 02**

Con rebosadero / Ala plana / *With overflow / flat wing*

**CARACTERÍSTICAS / FEATURES**

1 mm acero inoxidable 304 brillante

*1 mm polished AISI 304 stainless steel*

Diámetro exterior 355 mm / *Exterior diameter 355 mm*

Diámetro interior 315 mm / *Interior diameter 315 mm*





**LAVAMANOS ESFÉRICO PARA ENCASTRAR**  
*BUILT-IN ROUND WASHBASIN*

Ref. GW08 15 04 02  
 Sin rebosadero / Ala curvada / *Without overflow / curved wing*

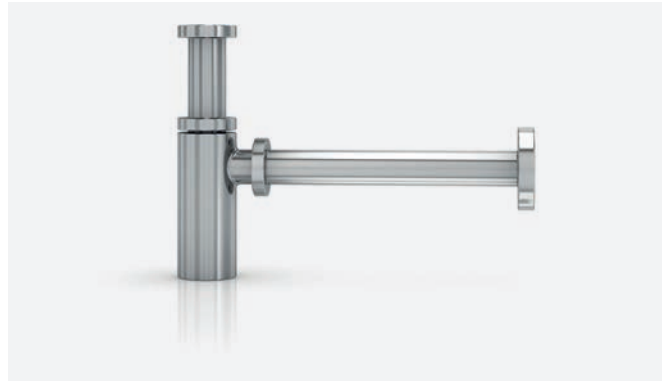
Ref. GW08 16 04 02  
 Con rebosadero / Ala curvada / *With overflow / curved wing*

Ref. GW08 21 04 02  
 Sin rebosadero / Ala plana / *Without overflow / flat wing*

Ref. GW08 22 04 02  
 Con rebosadero / Ala plana / *With overflow / flat wing*

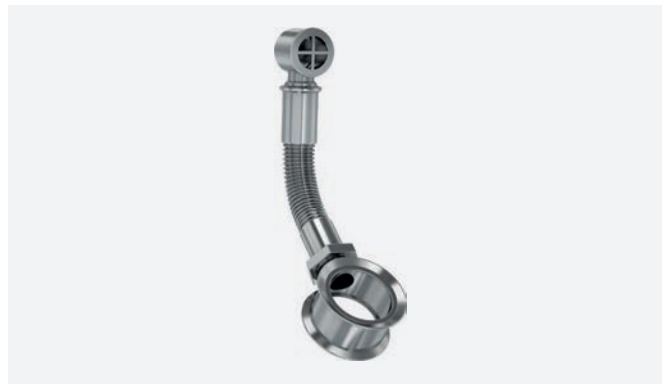
**CARACTERÍSTICAS / FEATURES**

1 mm acero inoxidable 304 brillante  
*1 mm polished AISI 304 stainless steel*  
 Diámetro exterior 405 mm / *Exterior diameter 405 mm*  
 Diámetro interior 355 mm / *Interior diameter 355 mm*



**SIFÓN BOTELLA PARA LAVABO Y BIDÉ 1 1/4"**  
*EXTENSIBLE BIDET AND WASHBASIN SIPHON 1 1/4"*

Ref. GW08 23 06 02  
 Latón cromado según UNE-EN 12165  
*Chrome plated brass according to UNE-EN 12165*



**REBOSADERO LATÓN VISTO 1 1/4"**  
*EXTERNAL BRASS OVERFLOW 1 1/4"*

Ref. GW08 24 06 02

SECAMANOS  
 HAND DRYERS

SECADORES DE PELO  
 HAIR DRYERS

DISPENSADORES DE PAPEL  
 PAPER DISPENSERS

DOSIFICADORES DE JABÓN  
 SOAP DISPENSERS

ACCESORIOS DE BAÑO  
 WASHROOM ACCESSORIES

PAPELERAS  
 WASTE PAPER BINS

CAMBIAPANALES  
 BABY CHANGING STATIONS

SANITARIOS  
 SANITARY PRODUCTS

MUEBLES COMPACTOS  
 COMPACT FURNITURE

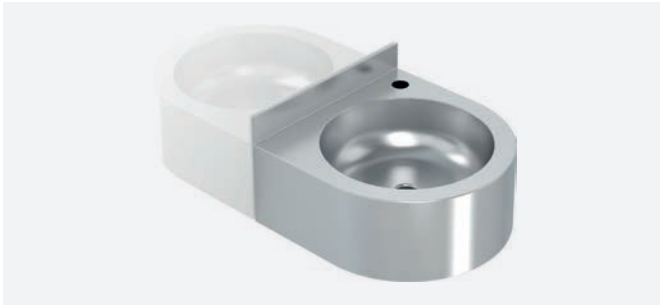
FUENTES DE AGUA  
 WATER DISPENSERS

AYUDA A LA MOVILIDAD  
 MOBILITY SUPPORT

LAVAJOS Y DUCHAS  
 EYE WASHERS & SHOWERS

GRIFERÍA TEMPORIZADA  
 TIMED TAPS

EXTERMINADORES DE INSECTOS  
 INSECT KILLERS



**LAVAMANOS MURAL REDONDO**  
*ROUND WALL HUNG WASHBASIN*



**Ref. GW08 25 04 01**  
 1,2 mm acero inoxidable 304 satinado  
*1,2 mm brushed AISI 304 stainless steel*  
**Medidas / Measurements** 210 x 365 x 362 mm



**LAVAMANOS MURAL ANTIVANDÁLICO**  
*ANTI VANDALISM WALL HUNG WASHBASIN*



**Ref. GW08 27 04 01**  
 1 mm acero inoxidable 304 satinado  
*1 mm brushed AISI 304 stainless steel*  
**Medidas / Measurements** 440 x 352 x 425 mm



**LAVAMANOS ESQUINERO REDONDO**  
*CORNER ROUND WALL HUNG WASHBASIN*



**Ref. GW08 26 04 01**  
 1.5 mm acero inoxidable 304 satinado  
*1,5 mm brushed AISI 304 stainless steel*  
**Medidas / Measurements** 210 x 230 x 325 mm



**LAVAMANOS MURAL COLECTIVO**  
COLLECTIVE WALL HUNG WASHBASIN



**Ref. GW08 28 04 01**

1,2 mm acero inoxidable 304 satinado  
Brushed 1,2 mm AISI 304 stainless steel

2 lavamanos / 2 washbasins

Medidas / Measurements 290 x 1.200 x 500 mm

**Ref. GW08 29 04 01**

1,2 mm acero inoxidable 304 satinado  
Brushed 1,2 mm AISI 304 stainless steel

3 lavamanos / 3 washbasins

Medidas / Measurements 290 x 1.800 x 500 mm



**LAVAMANOS MURAL QUIRÚRGICO**  
WALL MOUNTED SURGICAL WASHBASIN



**Ref. GW08 47 04 01**

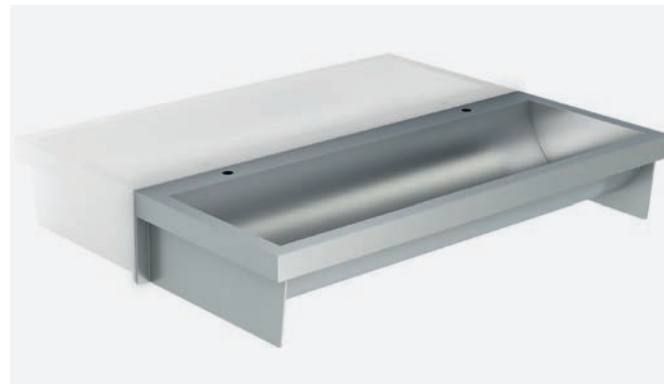
Medidas / Measurements 710 x 750 x 500 mm

**Ref. GW08 48 04 01**

Medidas / Measurements 740 x 1.500 x 500 mm

**Ref. GW08 49 04 01**

Medidas / Measurements 740 x 2.250 x 500 mm



**LAVAMANOS MURAL COLECTIVO**  
COLLECTIVE WALL HUNG WASHBASIN



**Ref. GW08 30 04 01**

1,2 mm acero inoxidable 304 satinado  
1,2 mm brushed AISI 304 stainless steel

Medidas / Measurements 250 x 600 x 400 mm

**Ref. GW08 31 04 01**

1,2 mm acero inoxidable 304 satinado  
1,2 mm brushed AISI 304 stainless steel

Medidas / Measurements 250 x 1.200 x 400 mm

SECAMANOS  
HAND DRYERS

SECADORES DE PELO  
HAIR DRYERS

DISPENSADORES DE PAPEL  
PAPER DISPENSERS

DOSIFICADORES DE JABÓN  
SOAP DISPENSERS

ACCESORIOS DE BAÑO  
WASHROOM ACCESSORIES

PAPELERAS  
WASTE PAPER BINS

CAMBIAPANALES  
BABY CHANGING STATIONS

SANITARIOS  
SANITARY PRODUCTS

MUEBLES COMPACTOS  
COMPACT FURNITURE

FUENTES DE AGUA  
WATER DISPENSERS

AYUDA A LA MOVILIDAD  
MOBILITY SUPPORT

LAVAJOS Y DUCHAS  
EYE WASHERS & SHOWERS

GRIFERÍA TEMPORIZADA  
TIMED TAPS

EXTERNADORES DE INSECTOS  
INSECT KILLERS



**LAVAMANOS COLECTIVO**  
*COLLECTIVE WASHBASIN*



**Ref. GW08 35 04 01**

**Medidas**

*Measurements*  
131 x 600 x 500 mm

**Ref. GW08 36 04 01**

**Medidas**

*Measurements*  
131 x 1.200 x 500 mm

**Ref. GW08 37 04 01**

**Medidas**

*Measurements*  
131 x 1.500 x 500 mm

**Ref. GW08 38 04 01**

**Medidas**

*Measurements*  
131 x 1.800 x 500 mm

**Ref. GW08 39 04 01**

**Medidas**

*Measurements*  
131 x 2.400 x 500 mm

**Ref. GW08 45 04 01**

**Juego de escuadras de soporte**

*Wall frame support kit*



**LAVAMANOS COLECTIVO CON PETO**  
*COLLECTIVE WASHBASIN WITH BACKSPASH*



**Ref. GW08 40 04 01**

**Medidas**

*Measurements*  
390 x 600 x 500 mm

**Ref. GW08 41 04 01**

**Medidas**

*Measurements*  
390 x 1.200 x 500 mm

**Ref. GW08 42 04 01**

**Medidas**

*Measurements*  
390 x 1.500 x 500 mm

**Ref. GW08 43 04 01**

**Medidas**

*Measurements*  
390 x 1.800 x 500 mm

**Ref. GW08 44 04 01**

**Medidas**

*Measurements*  
390 x 2.400 x 500 mm

**Ref. GW08 46 04 01**

**Patas de soporte**

*Support legs*

**Medidas**

*Measurements*  
800 x 55 x 55 mm

**CARACTERÍSTICAS / FEATURES**

1 mm acero inoxidable 304 satinado / *Brushed 1 mm AISI 304 stainless steel*

Opción patas / escuadras / *Optional legs / wall frame support*

Sin peto / *Without backsplash*

**CARACTERÍSTICAS / FEATURES**

1 mm acero inoxidable 304 satinado / *Brushed 1 mm AISI 304 stainless steel*

Opción patas / escuadras / *Optional legs / wall frame support*

Con peto / *With backsplash*



**LAVAMANOS REGISTRABLE CON PEDESTAL**  
*PEDAL OPERATED WASHBASIN*

**Ref. GW08 50 04 01**

**Pulsador con mezclador de agua fría y caliente**

*Pushbutton with cold and hot water mixer*

**Medidas / Measurements 850 x 450 x 450 mm**



**LAVAMANOS REGISTRABLE CON PEDESTAL**  
*PEDAL OPERATED WASHBASIN*

**Ref. GW08 51 04 01**

**Doble pulsador, agua fría y caliente**

*Two pushbuttons, cold and hot water*

**Medidas / Measurements 850 x 450 x 450 mm**



**LAVAMANOS MURAL ACTIVADO CON RODILLA**  
*WALL MOUNTED KNEE OPERATED WASHBASIN*

**Ref. GW08 52 04 01**

**Medidas / Measurements 215 x 450 x 450 mm**

SECAMANOS  
HAND DRYERS

SANITARIOS  
SANITARY PRODUCTS

SECADORES DE PELO  
HAIR DRYERS

MUEBLES COMPACTOS  
COMPACT FURNITURE

DISPENSADORES DE PAPEL  
PAPER DISPENSERS

FUENTES DE AGUA  
WATER DISPENSERS

DOSIFICADORES DE JABÓN  
SOAP DISPENSERS

AYUDA A LA MOVILIDAD  
MOBILITY SUPPORT

ACCESORIOS DE BAÑO  
WASHROOM ACCESSORIES

LAVAOJOS Y DUCHAS  
EYE WASHERS & SHOWERS

PAPELERAS  
WASTE PAPER BINS

GRIFERÍA TEMPORIZADA  
TIMED TAPS

CAMBIAPAÑALES  
BABY CHANGING STATIONS

EXTERMINADORES DE INSECTOS  
INSECT KILLERS



**INODORO INSTALADO A SUELO**  
*FLOOR INSTALLED TOILET*



**Ref. GW08 55 04 01**

**Inodoro instalado a suelo, salida pared**

*Floor installed, wall outlet*

**Medidas / Measurements 400 x 353 x 600 mm**

**Ref. GW08 56 04 01**

**Inodoro instalado a suelo, salida suelo**

*Floor installed toilet, floor outlet*

**Medidas / Measurements 400 x 353 x 600 mm**



**INODORO SUSPENDIDO A PARED**  
*WALL MOUNTED TOILET*



**Ref. GW08 57 04 01**

**Medidas / Measurements 350 x 353 x 515 mm**

**TAPA DE PVC PARA GW08.55, GW08.56. GW08.57**  
*PVC COVER FOR GW08.55, GW08.56. GW08.57*



**Ref. GW08 70 01 00**

**Tapa de PVC para GW08.55, GW08.56. GW08.57**

*PVC cover for GW08.55, GW08.56. GW08.57*

**CARACTERÍSTICAS / FEATURES**

**Inodoro anti vandálico en 1,5 mm acero inoxidable 304**

*Anti-vandalism 1.5 mm AISI 304 stainless toilet*

**Satinado / Brushed**

**Para uso con fluxómetro o cisterna encastrada**

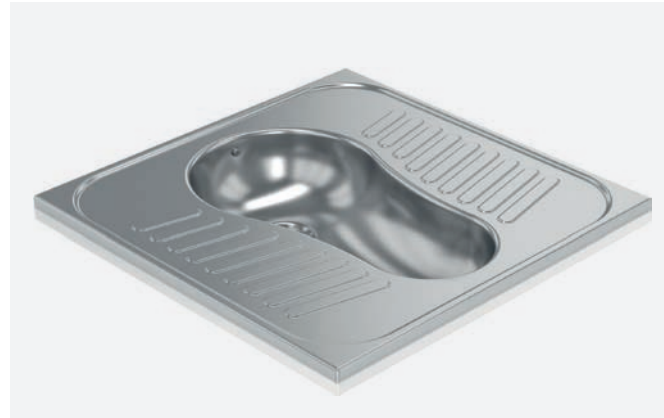
*Water discharge with fluxmeter or built-in tank*



**INODORO CON CISTERNA DE DESCARGA**  
TOILET WITH DISCHARGE TANK



**Ref. GW08 58 04 01**  
1,5 mm acero inoxidable 304 / 1.5 mm AISI 304 stainless steel  
Satinado / Brushed  
Medidas / Measurements 710 x 353 x 600 mm



**PLACA TURCA**  
SQUAT TOILET



**Ref. GW08 59 04 01**  
1 mm acero inoxidable 304 / 1 mm AISI 304 stainless steel  
Satinado / Brushed  
Con una salida de agua / With one water outlet  
Medidas / Measurements 500 x 600 mm



**URINARIO REDONDO**  
ROUNDED URINAL



**Ref. GW08 60 04 01**  
1,5 mm acero inoxidable 304 / 1.5 mm AISI 304 stainless steel  
Satinado / Brushed  
Medidas / Measurements 570 x 365 x 315 mm



**URINARIO MURAL**  
WALL HUNG URINAL



**Ref. GW08 61 04 01**  
1,5 mm acero inoxidable 304 / 1.5 mm AISI 304 stainless steel  
Satinado / Brushed  
Medidas / Measurements 526 x 342 x 490 mm

SECAMANOS  
HAND DRYERS

SECADORES DE PELO  
HAIR DRYERS

DISPENSADORES DE PAPEL  
PAPER DISPENSERS

DOSIFICADORES DE JABÓN  
SOAP DISPENSERS

ACCESORIOS DE BAÑO  
WASHROOM ACCESSORIES

PAPELERAS  
WASTE PAPER BINS

CAMBIAPANALES  
BABY CHANGING STATIONS

SANITARIOS  
SANITARY PRODUCTS

MUEBLES COMPACTOS  
COMPACT FURNITURE

FUENTES DE AGUA  
WATER DISPENSERS

AYUDA A LA MOVILIDAD  
MOBILITY SUPPORT

LAVAJOS Y DUCHAS  
EYE WASHERS & SHOWERS

GRIFERIA TEMPORIZADA  
TIMED TAPS

EXTERNADORES DE INSECTOS  
INSECT KILLERS



**URINARIO COLECTIVO PARED**  
*WALL MOUNTED COLLECTIVE URINAL*



**Ref. GW08 62 04 01**  
 Medidas / Measurements 600 x 1.200 x 300 mm

**Ref. GW08 63 04 01**  
 Medidas / Measurements 600 x 1.400 x 300 mm

**Ref. GW08 64 04 01**  
 Medidas / Measurements 600 x 1.800 x 300 mm



**COMPACTO DE LAVABO E INODORO ANTIVANDÁLICO**  
*ANTI-VANDALISM URINAL AND WASHBASIN SET*



**Ref. GW08 73 04 01**  
 Inodoro a la derecha / Right angle toilet

**Ref. GW08 74 04 01**  
 Inodoro a la izquierda / Left angle toilet

**Ref. GW08 75 04 01**  
 Inodoro centrado / Centered toilet

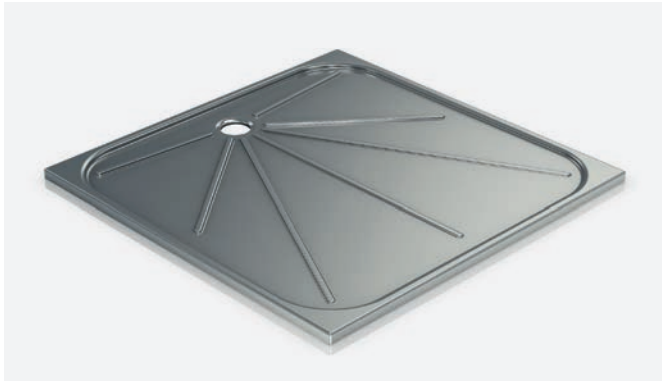
**CARACTERÍSTICAS / FEATURES**

1,2 mm acero inoxidable 304 / 1.2 mm AISI 304 stainless steel  
 Satinado / Brushed

**CARACTERÍSTICAS / FEATURES**

Incluye grifería, conexiones y anclajes  
 Tap, connections and anchorings included  
 1,5 mm acero inoxidable 304 / 1.5 mm AISI 304 stainless steel  
 Satinado / Brushed





**PLATO DE DUCHA**  
*BUILT-IN SHOWER PAN*



**Ref. GW08 68 04 01**

1 mm acero inoxidable 304 / 1 mm AISI 304 stainless steel

Satinado / Brushed

Desagüe mediante válvula de PVC

*Drainage with PVC valve*

Medidas / Measurements 65 x 700 x 700 mm

**Ref. GW08 69 04 01**

1 mm acero inoxidable 304 / 1 mm AISI 304 stainless steel

Satinado / Brushed

Desagüe mediante válvula de PVC

*Drainage with PVC valve*

Medidas / Measurements 80 x 800 x 800 mm

SECAMANOS  
HAND DRYERS

SANITARIOS  
SANITARY PRODUCTS

SECADORES DE PELO  
HAIR DRYERS

MUEBLES COMPACTOS  
COMPACT FURNITURE

DISPENSADORES DE PAPEL  
PAPER DISPENSERS

FUENTES DE AGUA  
WATER DISPENSERS

DOSIFICADORES DE JABÓN  
SOAP DISPENSERS

AYUDA A LA MOVILIDAD  
MOBILITY SUPPORT

ACCESORIOS DE BAÑO  
WASHROOM ACCESSORIES

LAVAJOS Y DUCHAS  
EYE WASHERS & SHOWERS

PAPELERAS  
WASTEPAPER BINS

GRIFERÍA TEMPORIZADA  
TIMED TAPS

CAMBIAPANALES  
BABY CHANGING STATIONS

EXTERMINADORES DE INSECTOS  
INSECT KILLERS

**Muebles compactos**  
*Compact furniture*



**CAMBIAPANALES**  
BABY CHANGING STATIONS

**EXTERMINADORES DE INSECTOS**  
INSECT KILLERS

**PAPELERAS**  
WASTE PAPER BINS

**GRIFERIA TEMPORIZADA**  
TIMED TAPS

**ACCESORIOS DE BAÑO**  
WASHROOM ACCESSORIES

**LAVAJOS Y DUCHAS**  
EYE WASHERS & SHOWERS

**DOSIFICADORES DE JABON**  
SOAP DISPENSERS

**AYUDAS A LA MOVILIDAD**  
MOBILITY SUPPORT

**DISPENSADORES DE PAPEL**  
PAPER DISPENSER

**FUENTES DE AGUA**  
WATER DISPENSERS

**SECADORES DE PELO**  
HAIR DRYERS

**MUEBLES COMPACTOS**  
COMPACT FURNITURE

**SECAMANOS**  
HAND DRYERS

**SANITARIOS**  
SANITARY PRODUCTS



**DISPENSADOR DE TOALLAS, SECAMANOS Y PAPELERA ENCASTRADO**  
*BUILT-IN PAPER TOWEL DISPENSER, HAND DRYER & WASTEPAPER BIN*



**Ref. GW09 01 04 01**

**Acero inoxidable 304, espesor 0,8 mm**

*0.8 mm AISI 304 stainless steel*

**Satinado / Brushed**

**Capacidad de 600-800 papeles toalla**

*600-800 papel towel capacity*

**Secadora de manos de 2.500 W automático**

*2,500 W automatic hand dryer*

**Papelera 23 litros / 23 liter bin capacity**

**Medidas / Measurements 1.650 x 370 x 160 mm**

**Medidas hueco / Wall hole measurements 1.620 x 330 x 170 mm**



**DISPENSADOR DE TOALLAS, SECAMANOS Y PAPELERA DE SUPERFICIE**  
*SURFACE PAPER TOWEL DISPENSER, HAND DRYER AND WASTEPAPER BIN*



**Ref. GW09 07 04 01**

**Acero inoxidable 304, espesor 0,8 mm**

*0.8 mm AISI 304 stainless steel*

**Satinado / Brushed**

**Capacidad de 600-800 papeles toalla**

*600-800 papel towel capacity*

**Secadora de manos de 2.500 W automático**

*2,500 W automatic hand dryer*

**Papelera 23 litros / 23 liter bin capacity**

**Medidas / Measurements 1.650 x 350 x 160 mm**

**CARACTERÍSTICAS TÉCNICAS / TECHNICAL FEATURES**

<b>Voltaje / Voltage</b>	220 - 240 V
<b>Frecuencia / Frequency</b>	50 / 60 Hz
<b>Velocidad aire / Air speed</b>	108 km/h
<b>Caudal aire / Airflow</b>	270 m³/h 4.500 l/min
<b>Temperatura aire / Air temperature</b>	45° C
<b>Potencia total / Total power</b>	2.400 W
<b>Potencia resistencia / Power of heating element</b>	2.100 W
<b>Potencia motor / Motor power</b>	300 W

<b>Consumo / Power consumption</b>	10,8 A
<b>Aislamiento eléctrico / Electrical insulation</b>	Class I
<b>Protección / Protection level</b>	IPX1
<b>Peso / Weight</b>	21 kg
<b>Tiempo de secado / Drying time</b>	15"
<b>Sonoridad a 2 m / Sound level at 2 m</b>	74dB
<b>rpm / rpm</b>	8.200
<b>Desconexión anti vandálica / Automatic shut-off</b>	60"



**DISPENSADOR DE TOALLAS Y PAPELERA ENCASTRADO**  
*BUILT-IN PAPER TOWEL DISPENSER & BIN*



**Ref. GW09 02 04 01**

Acero inoxidable 304, espesor 0,8 mm

*0.8 mm AISI 304 stainless steel*

Satinado / *Brushed*

Capacidad de 600-800 papeles toalla

*600-800 papel towel capacity*

Papelera 23 litros / *23 liter bin capacity*

Medidas / *Measurements 1.300 x 370 x 160 mm*

Medidas hueco / *Wall hole measurements 1.270 x 330 x 170 mm*



**DISPENSADOR DE TOALLAS Y PAPELERA DE SUPERFICIE**  
*SURFACE PAPER TOWEL DISPENSER & BIN*



**Ref. GW09 08 04 01**

Acero inoxidable 304, espesor 0,8 mm

*0.8 mm AISI 304 stainless steel*

Satinado / *Brushed*

Capacidad de 600-800 papeles toalla

*600-800 papel towel capacity*

Papelera 23 litros / *23 liter bin capacity*

Medidas / *Measurements 1250 x 350 x 140*

CAMBIAPANALES  
 BABY CHANGING STATIONS

PAPELERAS  
 WASTE PAPER BINS

ACCESORIOS DE BAÑO  
 WASHROOM ACCESSORIES

DISPENSADORES DE JABÓN  
 SOAP DISPENSERS

DISPENSADORES DE PAPEL  
 PAPER DISPENSERS

SECADORES DE PELO  
 HAIR DRYERS

SECAMANOS  
 HAND DRYERS

EXTERNADORES DE INSECTOS  
 INSECT KILLERS

GRIFERÍA TEMPORIZADA  
 TIMED TAPS

LAVAJOS Y DUCHAS  
 EYE WASHERS & SHOWERS

AYUDA A LA MOVILIDAD  
 MOBILITY SUPPORT

FUENTES DE AGUA  
 WATER DISPENSERS

MUEBLES COMPACTOS  
 COMPACT FURNITURE

SANITARIOS  
 SANITARY PRODUCTS



**SECAMANOS ENCASTRADO**  
*BUILT-IN HAND DRYER*



**Ref. GW09 11 04 01**  
 Acero inoxidable 304, espesor 0,8 mm  
*0.8 mm AISI 304 stainless steel*  
 Satinado / *Brushed*  
**2.500 W automático con escobillas**  
*2,500 W automatic with brushes*  
**Medidas / Measurements 650 x 350 x 180**  
**Medidas hueco / Wall hole measurements 620 x 300 x 165**

**Ref. GW09 12 04 01**  
 Acero inoxidable 304, espesor 0,8 mm  
*0.8 mm AISI 304 stainless steel*  
 Satinado / *Brushed*  
**800 W automático sin escobillas**  
*800 W automatic brushless*  
**Medidas / Measurements 650 x 350 x 180**  
**Medidas hueco / Wall hole measurements 620 x 300 x 165**



**SECAMANOS DE SUPERFICIE**  
*SURFACE HAND DRYER*



**Ref. GW09 13 04 01**  
 Acero inoxidable 304, espesor 0,8 mm  
*0.8 mm AISI 304 stainless steel*  
 Satinado / *Brushed*  
**2.500 W automático / 2,500 W automatic**  
**Con escobillas / With brushes**  
**Medidas / Measurements 530 x 350 x 140**



**DISPENSADOR DE PAPEL TOALLA ENCASTRADO**  
*BUILT-IN PAPER TOWEL DISPENSER*



**Ref. GW09 03 04 01**

Acero inoxidable 304, espesor 0,8 mm

*0.8 mm AISI 304 stainless steel*

Satinado / *Brushed*

Capacidad de 600-800 papeles toalla

*600-800 papel towel capacity*

Medidas / *Measurements 530 x 370 x 140 mm*

Medidas hueco / *Wall hole measurements 485 x 330 x 150 mm*



**DISPENSADOR TOALLA DE SUPERFICIE**  
*SURFACE PAPER TOWEL DISPENSER*



**Ref. GW09 09 04 01**

Acero inoxidable 304, espesor 0,8 mm

*0.8 mm AISI 304 stainless steel*

Satinado / *Brushed*

Capacidad de 600-800 papeles toalla

*600-800 papel towel capacity*

Medidas / *Measurements 530 x 350 x 140*

CAMBIAPANALES  
 BABY CHANGING STATIONS

EXTERMINADORES DE INSECTOS  
 INSECT KILLERS

PAPELERAS  
 WASTE PAPER BINS

GRIFERÍA TEMPORIZADA  
 TIMED TAPS

ACCESORIOS DE BAÑO  
 WASHROOM ACCESSORIES

LAVAJOS Y DUCHAS  
 EYE WASHERS & SHOWERS

DOSIFICADORES DE JABÓN  
 SOAP DISPENSERS

AYUDA A LA MOVILIDAD  
 MOBILITY SUPPORT

DISPENSADORES DE PAPEL  
 PAPER DISPENSERS

FUENTES DE AGUA  
 WATER DISPENSERS

SECADORES DE PELO  
 HAIR DRYERS

MUEBLES COMPACTOS  
 COMPACT FURNITURE

SECAMANOS  
 HAND DRYERS

SANITARIOS  
 SANITARY PRODUCTS



**PAPELERA ENCASTRADA**  
*BUILT-IN WASTEPAPER BIN*



**Ref. GW09 14 04 01**  
Aero inoxidable 304, espesor 0,8 mm  
*0.8 mm AISI stainless steel*  
**Medidas / Measurements** 690 x 410 x 170 mm  
**Medidas hueco / Wall hole measurements** 650 x 370 x 160 mm



**PAPELERA SEMI-ENCASTRADA**  
*SEMI-RECESSED WASTEPAPER BIN*



**Ref. GW09 15 04 01**  
Aero inoxidable 304, espesor 0,8 mm  
*0.8 mm AISI stainless steel*  
**Medidas / Measurements** 690 x 410 x 169 mm  
**Medidas hueco / Wall hole measurements** 650 x 370 x 94 mm





**Fuentes de agua**  
*Water dispensers*



**CAMBIAPAÑALES**  
BABY CHANGING STATIONS

**EXTERNADORES DE INSECTOS**  
INSECT KILLERS

**PAPELERAS**  
WASTE PAPER BINS

**GRIFERIA TEMPORIZADA**  
TIMED TAPS

**ACCESORIOS DE BAÑO**  
WASHROOM ACCESSORIES

**LAVAJOS Y DUCHAS**  
EYE WASHERS & SHOWERS

**DOSIFICADORES DE JABÓN**  
SOAP DISPENSERS

**AYUDAS A LA MOVILIDAD**  
MOBILITY SUPPORT

**DISPENSADORES DE PAPEL**  
PAPER DISPENSER

**FUENTES DE AGUA**  
WATER DISPENSERS

**SECADORES DE PELO**  
HAIR DRYERS

**MUEBLES COMPACTOS**  
COMPACT FURNITURE

**SECAMANOS**  
HAND DRYERS

**SANITARIOS**  
SANITARY PRODUCTS



**FUENTE DE PIE ACTIVADA POR PEDAL, CON RELLENAVASOS**  
*FLOOR STANDING PEDAL OPERATED WATER DISPENSER WITH CUP-FILLER*

**Ref. GW10 01 04 02**

Interior y exterior fabricados en acero inoxidable 304

*Fully AISI 304 material (exterior and interior)*

**Potencia frigorífica / Cooling power 400 W**

**Capacidad de frío / Cooling capacity 35 l/h**

**Peso / Weight 26 kg**



**FUENTE MURAL ACTIVADA POR PULSADOR**  
*WALL MOUNTED PUSH BUTTON OPERATED COLD WATER DISPENSER*

**Ref. GW10 02 04 02**

Interior y exterior fabricados en acero inoxidable 304

*Fully AISI 304 material (exterior and interior)*

**Potencia frigorífica / Cooling power 350 W**

**Capacidad de frío / Cooling capacity 30 l/h**

**Peso / Weight 23 kg**

**CARACTERÍSTICAS / FEATURES**

Servicio técnico propio incluido (en territorio nacional) / *Technical service included (in national territory)*

Instalación mural o de pie / *Floor or wall mounted*

Sistema de refrigeración incluido / *Refrigeration system included*

Temperatura del agua fácilmente regulable / *Easily regulated water temperature (thermostat)*

**CARACTERÍSTICAS TÉCNICAS / TECHNICAL FEATURES**

Voltaje / <i>Voltage</i>	220 - 240 V
Frecuencia / <i>Frequency</i>	50 / 60 Hz
Consumo / <i>Power consumption</i>	200 W
Velocidad salida del agua / <i>Water flux speed</i>	60 l/h

Temperatura agua / <i>Water output temperature</i>	4-11° C
Gas refrigerante ecológico / <i>Refrigerant gas</i>	R 134 A
Frío mediante depósito / <i>Water tank capacity</i>	4,5 l
Garantía (años) / <i>Warranty (years)</i>	10



**FUENTE DE PIE ACTIVADA, CON RELLENAVASOS**  
*FLOOR STANDING WATER DISPENSER WITH CUP-FILLER*

**Ref. GW10 03 04 02**

Exterior fabricado en acero inoxidable 304

*Fully AISI 304 material (exterior)*

Interior de acero con tratamiento anti-corrosivo

*Steel interior with anti-corrosion treatment*



**FUENTE DE PIE, SIN RELLENAVASOS**  
*FLOOR STANDING WATER DISPENSER, OPTION WITHOUT CUP-FILLER*

**Ref. GW10 14 04 02**

Exterior fabricado en acero inoxidable 304

*Fully AISI 304 material (exterior)*

Interior de acero con tratamiento anti-corrosivo

*Steel interior with anti-corrosion treatment*

**CARACTERÍSTICAS / FEATURES**

Servicio técnico propio incluido (en territorio nacional) / *Technical service included (in national territory)*

Instalación mural o de pie / *Floor or wall mounted*

Sistema de refrigeración incluido / *Refrigeration system included*

Temperatura del agua fácilmente regulable / *Easily regulated water temperature (thermostat)*

**CARACTERÍSTICAS TÉCNICAS / TECHNICAL FEATURES**

Voltaje / <i>Voltage</i>	220 - 240 V	Temperatura agua / <i>Water output temperature</i>	4-11° C
Frecuencia / <i>Frequency</i>	50 / 60 Hz	Gas refrigerante ecológico / <i>Refrigerant gas</i>	R 134 A
Potencia frigorífica / <i>Cooling power</i>	400 W	Frío mediante depósito / <i>Water tank capacity</i>	4,5 l
Consumo / <i>Power consumption</i>	200 W	Peso / <i>Weight</i>	26 kg
Capacidad de frío / <i>Cooling capacity</i>	30 l/h	Garantía (años) / <i>Warranty (years)</i>	2
Velocidad salida del agua / <i>Water flux speed</i>	60 l/h		

SECAMANOS  
HAND DRYERS

SECADORES DE PELO  
HAIR DRYERS

DISPENSADORES DE PAPEL  
PAPER DISPENSERS

DOSIFICADORES DE JABÓN  
SOAP DISPENSERS

ACCESORIOS DE BAÑO  
WASHROOM ACCESSORIES

PAPELERAS  
WASTE PAPER BINS

CAMBIAPAÑALES  
BABY CHANGING STATIONS

SANITARIOS  
SANITARY PRODUCTS

MUEBLES COMPACTOS  
COMPACT FURNITURE

FUENTES DE AGUA  
WATER DISPENSERS

AYUDA A LA MOVILIDAD  
MOBILITY SUPPORT

LAVAJOS Y DUCHAS  
EYE WASHERS & SHOWERS

GRIFERÍA TEMPORIZADA  
TIMED TAPS

EXTERNADORES DE INSECTOS  
INSECT KILLERS



**FUENTE DE PIE EXTERIOR ACTIVADA POR PULSADOR**  
*OUTDOOR FLOOR STANDING PUSH BUTTON OPERATED WATER DISPENSER*

**Ref. GW10 04 04 02**  
Acero inoxidable 304, 2 mm de grosor  
*2 mm thickness 304 stainless steel*



**RECAMBIO RELLENA VASOS**  
*GLASS FILLER SPARE PART*

**Ref. GW10 01 90 00**



**RECAMBIO PULSADOR**  
*PUSH BUTTON SPARE PART*

**Ref. GW10 01 90 01**

**CARACTERÍSTICAS / FEATURES**

**Servicio técnico propio incluido (en territorio nacional)**  
*Technical service included (in national territory)*

**Especialmente diseñada para exterior**  
*Specially designed for outdoor use*

**Sin refrigeración / Without refrigeration unit**

**Activada por pulsador / Operated by push button**



**FILTRO OPCIONAL DE PLÁSTICO GW10.01 Y GW10.02**  
*OPTIONAL PLASTIC FILTER FOR GW10.01 AND GW10.02*

Ref. GW10 06 01 00



**CARTUCHO RECAMBIO PARA FILTROS GW10.05 Y GW10.06**  
*REPLACEMENT CARTRIDGE FOR FILTERS GW10.05 AND 10.06*

Ref. GW10 07 01 00



**FILTRO OPCIONAL PARA GW10.03**  
*OPTIONAL FILTER FOR GW10.03*

Ref. GW10 08 01 00

CAMBIAPANALES  
 BABY CHANGING STATIONS  
 EXTERMINADORES DE INSECTOS  
 INSECT KILLERS

PAPELERAS  
 WASTE PAPER BINS  
 GRIFERÍA TEMPORIZADA  
 TIMED TAPS

ACCESORIOS DE BAÑO  
 WASHROOM ACCESSORIES  
 LAVAJOS Y DUCHAS  
 EYE WASHERS & SHOWERS

DISPENSADORES DE JABÓN  
 SOAP DISPENSERS  
 AYUDA A LA MOVILIDAD  
 MOBILITY SUPPORT

DISPENSADORES DE PAPEL  
 PAPER DISPENSERS  
 FUENTES DE AGUA  
 WATER DISPENSERS

SECADORES DE PELO  
 HAIR DRYERS  
 MUEBLES COMPACTOS  
 COMPACT FURNITURE

SECAMANOS  
 HAND DRYERS  
 SANITARIOS  
 SANITARY PRODUCTS

**Ayudas técnicas  
a la movilidad**  
*Grab bars & technical  
mobility supports*





**CAMBIAPÁÑALES**  
BABY CHANGING STATIONS

**EXTERMINADORES DE INSECTOS**  
INSECT KILLERS

**PAPELERAS**  
WASTE PAPER BINS

**GRIFERIA TEMPORIZADA**  
TIMED TAPS

**ACCESORIOS DE BAÑO**  
WASHROOM ACCESSORIES

**LAVAOJOS Y DUCHAS**  
EYE WASHERS & SHOWERS

**DOSIFICADORES DE JABÓN**  
SOAP DISPENSERS

**AYUDAS A LA MOVILIDAD**  
MOBILITY SUPPORT

**DISPENSADORES DE PAPEL**  
PAPER DISPENSERS

**FUENTES DE AGUA**  
WATER DISPENSERS

**SECADORES DE PELO**  
HAIR DRYERS

**MUEBLES COMPACTOS**  
COMPACT FURNITURE

**SECAMANOS**  
HAND DRYERS

**SANITARIOS**  
SANITARY PRODUCTS

Características generales de barras en acero y acero inoxidable 304 / General characteristics of AISI 304 stainless steel and steel bars

Todas las barras están fabricadas en acero (pintado en epoxi) o acero inoxidable 304 garantizando alta resistencia a la corrosión / All bars are manufactured in steel (epoxy painted) or AISI 304 stainless steel which guarantees high resistance to corrosion

Modelos de acero pintado en epoxi incluyen tratamiento antioxidante / Epoxy white steel models include special treatment against corrosion

Todas las barras en acero y acero inoxidable tienen un diámetro de 32 mm / All steel and stainless steel bars have a diameter of 32 mm

El tubo de acero o acero inoxidable dispone de un espesor de 1,5 mm / The steel or stainless steel tube has a thickness of 1.5 mm

Todas las barras incluyen florones embellecedores para su montaje oculto / All the bars include flange covers for hidden mounting

Tornillería de acero inoxidable incluida / Stainless steel nuts and bolts included

El proceso de doblado asegura la uniformidad de las curvas / Bending process ensures the uniformity on the curves

Todas las barras estan disponibles en acero inoxidable 316 bajo pedido / All bars are available in AISI 316 stainless steel on request

Posibilidad de fabricación a medida bajo pedido en todos los modelos de barras / Possibility of measurements made to order for all bar models, on request

Denominación izquierda o derecha mirando las barras de frente, no en la posición de usuario / Bar position left/ right facing the bar, not in the position of the user



**KIT ANTICONDUCTIVO PARA BARRAS**  
FLANGE ISOLATION KIT FOR STRAIGHT BARS

**Ref. GW11 01 90 00**  
Para barras rectas / For straight bars

**Ref. GW11 01 90 01**  
Para barras abatibles / For folding bars

**Ref. GW11 01 90 03**  
Para barra abatible con pie a suelo  
For folding bars with leg support



**KIT ANTICONDUCTIVO PARA ASIENTO**  
FLANGE ISOLATION KIT FOR SEATS

**Ref. GW11 01 90 02**  
Para asientos abatibles / For folding seats



**BARRA ACERO INOXIDABLE 304 SATINADO**  
BRUSHED AISI 304 STAINLESS STEEL BAR

Ref. GW11 01 04 01  
Largo / Long 300 mm

Ref. GW11 04 04 01  
Largo / Long 750 mm

Ref. GW11 02 04 01  
Largo / Long 400 mm

Ref. GW11 05 04 01  
Largo / Long 900 mm

Ref. GW11 03 04 01  
Largo / Long 600 mm

Ref. GW11 06 04 01  
Largo / Long 1.200 mm



**BARRA ACERO INOXIDABLE BRILLANTE**  
POLISHED AISI 304 STAINLESS STEEL BAR

Ref. GW11 01 04 02  
Largo / Long 300 mm

Ref. GW11 04 04 02  
Largo / Long 750 mm

Ref. GW11 02 04 02  
Largo / Long 400 mm

Ref. GW11 05 04 02  
Largo / Long 900 mm

Ref. GW11 03 04 02  
Largo / Long 600 mm

Ref. GW11 06 04 02  
Largo / Long 1.200 mm



**BARRA ACERO EPOXI BLANCO**  
WHITE EPOXY STEEL BAR

Ref. GW11 01 03 00  
Largo / Long 300 mm

Ref. GW11 04 03 00  
Largo / Long 750 mm

Ref. GW11 02 03 00  
Largo / Long 400 mm

Ref. GW11 05 03 00  
Largo / Long 900 mm

Ref. GW11 03 03 00  
Largo / Long 600 mm

Ref. GW11 06 03 00  
Largo / Long 1.200 mm

SECAMANOS  
HAND DRYERS

SECADORES DE PELO  
HAIR DRYERS

DISPENSADORES DE PAPEL  
PAPER DISPENSERS

DOSIFICADORES DE JABÓN  
SOAP DISPENSERS

ACCESORIOS DE BAÑO  
WASHROOM ACCESSORIES

PAPELERAS  
WASTE PAPER BINS

CAMBIAPANALES  
BABY CHANGING STATIONS

SANITARIOS  
SANITARY PRODUCTS

MUEBLES COMPACTOS  
COMPACT FURNITURE

FUENTES DE AGUA  
WATER DISPENSERS

AYUDA A LA MOVILIDAD  
MOBILITY SUPPORT

LAVAJOS Y DUCHAS  
EYE WASHERS & SHOWERS

GRIFERÍA TEMPORIZADA  
TIMED TAPS

EXTERMINADORES DE INSECTOS  
INSECT KILLERS



**BARRA ABATIBLE**  
*FOLDING BAR*

**Ref. GW11 07 03 00**  
Acero epoxi blanco  
*White epoxy steel*  
Largo / Long 800 mm

**Ref. GW11 07 04 01**  
Acero inoxidable 304 satinado  
*Brushed AISI 304 stainless steel*  
Largo / Long 800 mm

**Ref. GW11 07 04 02**  
Acero inoxidable 304 brillante  
*Polished AISI 304 stainless steel*  
Largo / Long 800 mm

**Ref. GW11 08 03 00**  
Acero epoxi blanco  
*White epoxy steel*  
Largo / Long 600 mm

**Ref. GW11 08 04 01**  
Acero inoxidable 304 satinado  
*Brushed AISI 304 stainless steel*  
Largo / Long 600 mm

**Ref. GW11 08 04 02**  
Acero inoxidable 304 brillante  
*Polished AISI 304 stainless steel*  
Largo / Long 600 mm



**BARRA ABATIBLE CON PIE A SUELO**  
*FOLDING BAR WITH LEG SUPPORT*

**Ref. GW11 60 03 00**  
Acero epoxi blanco / *White epoxy steel*  
Largo / Long 800 mm

**Ref. GW11 60 04 01**  
Acero inoxidable 304 satinado / *Brushed AISI 304 stainless steel*  
Largo / Long 800 mm

**CARACTERÍSTICAS / FEATURES**

Con sistema de frenado progresivo en todas las barras abatibles / *All folding bars include gradual braking system*



**BARRA ABATIBLE CON COLUMNA DE SOPORTE A SUELO**  
**FOLDING BAR WITH FLOOR ANCHORING COLUMN**

**Ref. GW11 09 03 00**

Acero epoxi blanco / *White epoxy steel*

Largo / *Long 800 mm*

**Ref. GW11 09 04 01**

Acero inoxidable 304 satinado / *Brushed AISI 304 stainless steel*

Largo / *Long 800 mm*

**Ref. GW11 09 04 02**

Acero inoxidable 304 brillante / *Polished AISI 304 stainless steel*

Largo / *Long 800 mm*

CAMBIAPANALES  
 BABY CHANGING STATIONS

EXTERMINADORES DE INSECTOS  
 INSECT KILLERS

PAPELERAS  
 WASTEPAPER BINS

GRIFERÍA TEMPORIZADA  
 TIMED TAPS

ACCESORIOS DE BAÑO  
 WASHROOM ACCESSORIES

LAVAJOS Y DUCHAS  
 EYE WASHERS & SHOWERS

DOSIFICADORES DE JABÓN  
 SOAP DISPENSERS

AYUDA A LA MOVILIDAD  
 MOBILITY SUPPORT

DISPENSADORES DE PAPEL  
 PAPER DISPENSERS

FUENTES DE AGUA  
 WATER DISPENSERS

SECADORES DE PELO  
 HAIR DRYERS

MUEBLES COMPACTOS  
 COMPACT FURNITURE

SECAMANOS  
 HAND DRYERS

SANITARIOS  
 SANITARY PRODUCTS



**BARRA FIJA 3 ANCLAJES IZQUIERDA**  
**STRAIGHT BAR ANCHORINGS LEFT**

**Ref. GW11 10 03 00**

Acero epoxi blanco / *White epoxy steel*

**Ref. GW11 10 04 01**

Acero inoxidable 304 satinado / *Brushed AISI 304 stainless steel*

**Ref. GW11 10 04 02**

Acero inoxidable 304 brillante / *Polished AISI 304 stainless steel*



**BARRA FIJA 3 ANCLAJES DERECHA**  
**STRAIGHT BAR 3 ANCHORINGS RIGHT**

**Ref. GW11 11 03 00**

Acero epoxi blanco / *White epoxy steel*

**Ref. GW11 11 04 01**

Acero inoxidable 304 satinado / *Brushed AISI 304 stainless steel*

**Ref. GW11 11 04 02**

Acero inoxidable 304 brillante / *Polished AISI 304 stainless steel*

**CARACTERÍSTICAS / FEATURES**

Longitud brazo corto 330 mm / *Short arm length 330 mm*

Longitud brazo largo 600 mm / *Long arm length 600 mm*



**BARRA 90° IZQUIERDA**  
90° LEFT SIDE BAR

**Ref. GW11 12 03 00**

Acero epoxi blanco / White epoxy steel

Altura / Height 780 mm

Distancia / Length 840 mm

**Ref. GW11 12 04 01**

Acero inoxidable 304 satinado / Brushed AISI 304 stainless steel

Altura / Height 780 mm

Distancia / Length 840 mm

**Ref. GW11 12 04 02**

Acero inoxidable 304 brillante / Polished AISI 304 stainless steel

Altura / Height 780 mm

Distancia / Length 840 mm



**BARRA 90° DERECHA**  
90° RIGHT SIDE BAR

**Ref. GW11 13 03 00**

Acero epoxi blanco / White epoxy steel

Altura / Height 780 mm

Distancia / Length 840 mm

**Ref. GW11 13 04 01**

Acero inoxidable 304 satinado / Brushed AISI 304 stainless steel

Altura / Height 780 mm

Distancia / Length 840 mm

**Ref. GW11 13 04 02**

Acero inoxidable 304 brillante / Polished AISI 304 stainless steel

Altura / Height 780 mm

Distancia / Length 840 mm

CAMBIAPANALES  
BABY CHANGING STATIONS

PAPELERAS  
WASTEPAPER BINS

ACCESORIOS DE BAÑO  
WASHROOM ACCESSORIES

DOSIFICADORES DE JABÓN  
SOAP DISPENSERS

DISPENSADORES DE PAPEL  
PAPER DISPENSERS

SECADORES DE PELO  
HAIR DRYERS

SECAMANOS  
HAND DRYERS

EXTERMINADORES DE INSECTOS  
INSECT KILLERS

GRIFERIA TEMPORIZADA  
TIMED TAPS

LAVAJOS Y DUCHAS  
EYE WASHERS & SHOWERS

AYUDA A LA MOVILIDAD  
MOBILITY SUPPORT

FUENTES DE AGUA  
WATER DISPENSERS

MUEBLES COMPACTOS  
COMPACT FURNITURE

SANITARIOS  
SANITARY PRODUCTS



**BARRA 90°**  
*90° GRAB BAR*

**Ref. GW11 14 03 00**

Acero epoxi blanco / *White epoxy steel*

Altura / *Height 760 mm*

Distancia / *Length 840 mm*

**Ref. GW11 14 04 01**

Acero inoxidable 304 satinado / *Brushed AISI 304 stainless steel*

Altura / *Height 760 mm*

Distancia / *Length 840 mm*

**Ref. GW11 14 04 02**

Acero inoxidable 304 brillante / *Polished AISI 304 stainless steel*

Altura / *Height 760 mm*

Distancia / *Length 840 mm*



**MANILLÓN 135° 300 X 300 MM**  
*135° ANGLED GRAB BAR 300 X 300 MM*

**Ref. GW11 22 03 00**

Acero epoxi blanco / *White epoxy steel*

**Ref. GW11 22 04 01**

Acero inoxidable 304 satinado / *Brushed AISI 304 stainless steel*

**Ref. GW11 22 04 02**

Acero inoxidable 304 brillante / *Polished AISI 304 stainless steel*





**BARRA 90° IZQUIERDA**  
90° LEFT SIDE BAR

**Ref. GW11 15 03 00**

Acero epoxi blanco / *White epoxy steel*

Barra horizontal 400 mm / *Horizontal bar 400 mm*

Barra vertical 800 mm / *Vertical bar 800 mm*

**Ref. GW11 15 04 01**

Acero inoxidable 304 satinado / *Brushed AISI 304 stainless steel*

Barra horizontal 400 mm / *Horizontal bar 400 mm*

Barra vertical 800 mm / *Vertical bar 800 mm*

**Ref. GW11 15 04 02**

Acero inoxidable 304 brillante / *Polished AISI 304 stainless steel*

Barra horizontal 400 mm / *Horizontal bar 400 mm*

Barra vertical 800 mm / *Vertical bar 800 mm*



**BARRA 90° DERECHA**  
90° RIGHT SIDE BAR

**Ref. GW11 16 03 00**

Acero epoxi blanco / *White epoxy steel*

Barra horizontal 400 mm / *Horizontal bar 400 mm*

Barra vertical 800 mm / *Vertical bar 800 mm*

**Ref. GW11 16 04 01**

Acero inoxidable 304 satinado / *Brushed AISI 304 stainless steel*

Barra horizontal 400 mm / *Horizontal bar 400 mm*

Barra vertical 800 mm / *Vertical bar 800 mm*

**Ref. GW11 16 04 02**

Acero inoxidable 304 brillante / *Polished AISI 304 stainless steel*

Barra horizontal 400 mm / *Horizontal bar 400 mm*

Barra vertical 800 mm / *Vertical bar 800 mm*

CAMBIAPANALES  
BABY CHANGING STATIONS

PAPELERAS  
WASTEPAPER BINS

ACCESORIOS DE BAÑO  
WASHROOM ACCESSORIES

DOSIFICADORES DE JABÓN  
SOAP DISPENSERS

DISPENSADORES DE PAPEL  
PAPER DISPENSERS

SECADORES DE PELO  
HAIR DRYERS

SECAMANOS  
HAND DRYERS

EXTERMINADORES DE INSECTOS  
INSECT KILLERS

GRIFERIA TEMPORIZADA  
TIMED TAPS

LAVAJOS Y DUCHAS  
EYE WASHERS & SHOWERS

AYUDA A LA MOVILIDAD  
MOBILITY SUPPORT

FUENTES DE AGUA  
WATER DISPENSERS

MUEBLES COMPACTOS  
COMPACT FURNITURE

SANITARIOS  
SANITARY PRODUCTS



**BARRA ÁNGULO PARED - PARED 600 X 600 MM REVERSIBLE**  
*600 X 600 MM ANGLED WALL TO WALL BAR*

**Ref. GW11 17 03 00**

*Acero epoxi blanco / White epoxy steel*

**Ref. GW11 17 04 01**

*Acero inoxidable 304 satinado / Brushed AISI 304 stainless steel*

**Ref. GW11 17 04 02**

*Acero inoxidable 304 brillante / Polished AISI 304 stainless steel*



**BARRA ÁNGULO PARED - PARED 700 X 700 MM**  
*700 X 700 MM ANGLED WALL TO WALL BAR*

**Ref. GW11 18 03 00**

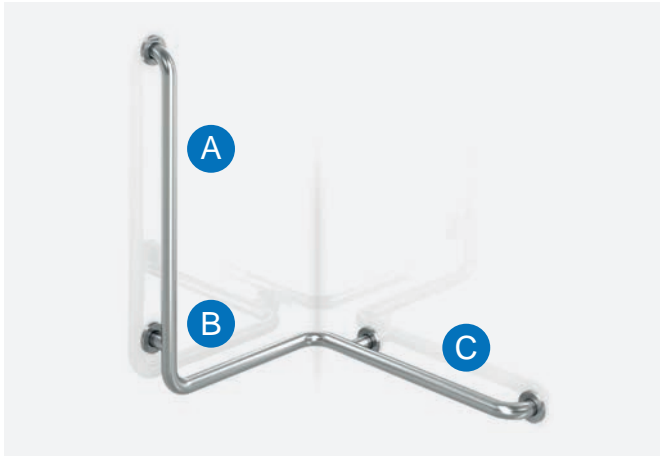
*Acero epoxi blanco / White epoxy steel*

**Ref. GW11 18 04 01**

*Acero inoxidable 304 satinado / Brushed AISI 304 stainless steel*

**Ref. GW11 18 04 02**

*Acero inoxidable 304 brillante / Polished AISI 304 stainless steel*



**BARRA 3 LADOS (IZQUIERDA)**  
**3 - SIDED ANGLED WALL BAR (LEFT SIDE)**

**Ref. GW11 20 03 00**

Acero epoxi blanco / *White epoxy steel*

A - 760 mm

B - 460 mm

C - 610 mm

**Ref. GW11 20 04 01**

Acero inoxidable 304 satinado / *Brushed AISI 304 stainless steel*

A - 760 mm

B - 460 mm

C - 610 mm

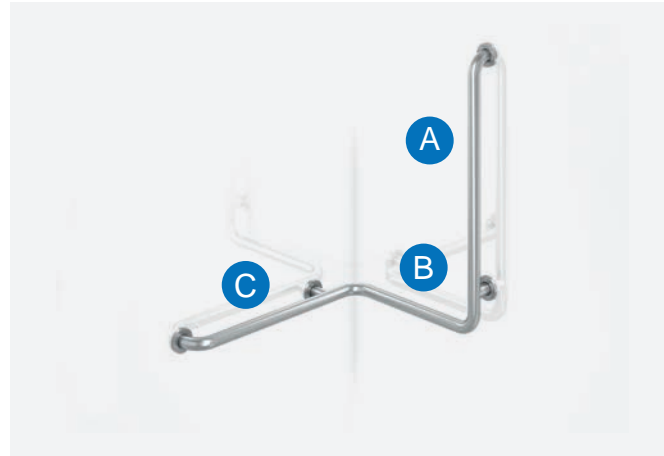
**Ref. GW11 20 04 02**

Acero inoxidable 304 brillante / *Polished 304 stainless steel*

A - 760 mm

B - 460 mm

C - 610 mm



**BARRA 3 LADOS (DERECHA)**  
**3 - SIDED ANGLED WALL BAR (RIGHT SIDE)**

**Ref. GW11 21 03 00**

Acero epoxi blanco / *White epoxy steel*

A - 760 mm

B - 460 mm

C - 610 mm

**Ref. GW11 21 04 01**

Acero inoxidable 304 satinado / *Brushed AISI 304 stainless steel*

A - 760 mm

B - 460 mm

C - 610 mm

**Ref. GW11 21 04 02**

Acero inoxidable 304 brillante / *Polished 304 stainless steel*

A - 760 mm

B - 460 mm

C - 610 mm

SECAMANOS  
HAND DRYERS

SANITARIOS  
SANITARY PRODUCTS

SECADORES DE PELO  
HAIR DRYERS

MUEBLES COMPACTOS  
COMPACT FURNITURE

DISPENSADORES DE PAPEL  
PAPER DISPENSERS

FUENTES DE AGUA  
WATER DISPENSERS

DOSIFICADORES DE JABÓN  
SOAP DISPENSERS

AYUDA A LA MOVILIDAD  
MOBILITY SUPPORT

ACCESORIOS DE BAÑO  
WASHROOM ACCESSORIES

LAVAOJOS Y DUCHAS  
EYE WASHERS & SHOWERS

PAPELERAS  
WASTE PAPER BINS

GRIFERÍA TEMPORIZADA  
TIMED TAPS

CAMBIAPAÑALES  
BABY CHANGING STATIONS

EXTERMINADORES DE INSECTOS  
INSECT KILLERS



**ASIENTO ABATIBLE**  
*FOLDING SEAT*

**Ref. GW11 23 03 00**

Acero epoxi blanco / *White epoxy steel*

Con soporte a pared / *With wall support*

Medidas / *Measurements 200 x 520 x 450 mm*

**Ref. GW11 23 04 01**

Acero inoxidable 304 satinado / *Brushed AISI 304 stainless steel*

Con soporte a pared / *With wall support*

Medidas / *Measurements 200 x 520 x 450 mm*



**ASIENTO ABATIBLE**  
*FOLDING SEAT*

**Ref. GW11 23 11 00**

Acero inoxidable 304 / *AISI 304 stainless steel*

Fenólico / *Phenolic*

Con soporte a pared / *With wall support*

Medidas / *Measurements 200 x 520 x 450 mm*

**CARACTERÍSTICAS / FEATURES**

Con sistema de frenado progresivo en todos los asientos de ducha / *All shower seats include gradual braking system*



**ASIENTO ABATIBLE CON PATA**  
**FOLDING SEAT WITH LEG**

**Ref. GW11 24 03 00**

Acero epoxi blanco / *White epoxy steel*

Medidas / *Measurements 820 x 520 x 450 mm*

**Ref. GW11 24 04 01**

Acero inoxidable 304 satinado / *Brushed AISI 304 stainless steel*

Medidas / *Measurements 820 x 520 x 450 mm*



**ASIENTO ABATIBLE CON PATA**  
**FOLDING SEAT WITH LEG**

**Ref. GW11 24 11 00**

Acero inoxidable 304 satinado / *Brushed AISI 304 stainless steel*

Fenólico / *Phenolic*

Medidas / *Measurements 820 x 520 x 450 mm*

**CARACTERÍSTICAS / FEATURES**

Con sistema de frenado progresivo en todos los asientos de ducha  
*All shower seats include gradual braking system*

SECAMANOS  
 HAND DRYERS

SANITARIOS  
 SANITARY PRODUCTS

SECADORES DE PELO  
 HAIR DRYERS

MUEBLES COMPACTOS  
 COMPACT FURNITURE

DISPENSADORES DE PAPEL  
 PAPER DISPENSERS

FUENTES DE AGUA  
 WATER DISPENSERS

DOSIFICADORES DE JABÓN  
 SOAP DISPENSERS

AYUDA A LA MOVILIDAD  
 MOBILITY SUPPORT

ACCESORIOS DE BAÑO  
 WASHROOM ACCESSORIES

LAVAJOS Y DUCHAS  
 EYE WASHERS & SHOWERS

PAPELERAS  
 WASTE PAPER BINS

GRIFERÍA TEMPORIZADA  
 TIMED TAPS

CAMBIAPANALES  
 BABY CHANGING STATIONS

EXTERMINADORES DE INSECTOS  
 INSECT KILLERS

Características generales de barras de nylon / *General characteristics of nylon bars*

Todas las barras tienen un diámetro de 35 mm / *All bars have a diameter of 35 mm*

El tubo de nylon dispone de un espesor de 5 mm / *The nylon tube has a thickness of 5 mm*

Todas las barras incluyen florones embellecedores para su montaje oculto / *All the bars include flange covers for hidden mounting*

Tornillería de acero incluida / *Stainless steel nuts and bolts included*

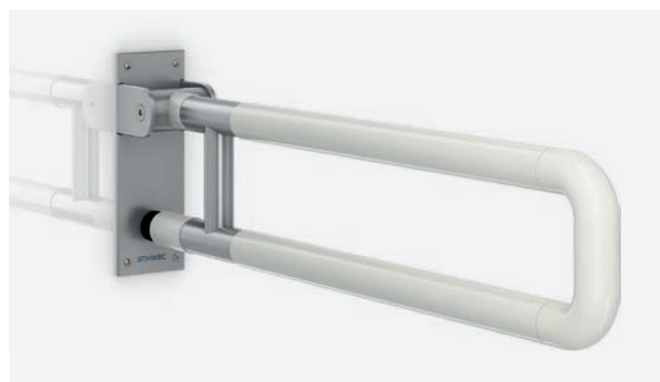
Material antibacteriológico, anticonductivo y antideslizante / *Antibacterial, anticonductive and antislip material*

Posibilidad de fabricación a medida y elección de colores bajo pedido / *Possibility of made to order measurements and colours on request*



**BARRA ABATIBLE CON PATA DE NYLON + ACERO INOXIDABLE 304**  
*NYLON + AISI 304 STAINLESS STEEL BAR WITH LEG SUPPORT*

**Ref. GW11 31 09 00**  
 Medidas / *Measurements 600 mm*



**BARRA ABATIBLE NYLON + ACERO INOXIDABLE 304**  
*NYLON + AISI 304 STAINLESS STEEL FOLDING BAR*

**Ref. GW11 30 09 00**  
 Nylon y acero inoxidable 304 / *Nylon and AISI 304 stainless steel*  
 Medidas / *Measurements 600 mm*



**BARRA RECTA DE NYLON**  
 NYLON STRAIGHT BAR

**Ref. GW11 26 09 00**  
 Nylon  
 Medidas / Measurements 450 mm

**Ref. GW11 27 09 00**  
 Nylon  
 Medidas / Measurements 600 mm

**Ref. GW11 28 09 00**  
 Nylon  
 Medidas / Measurements 750 mm

**Ref. GW11 29 09 00**  
 Nylon  
 Medidas / Measurements 1.000 mm



**MANILLÓN DE 130° EN NYLON**  
 130° NYLON ANGLE GRAB BAR

**Ref. GW11 32 09 00**  
 Medidas / Measurements 300 x 300 mm

CAMBIAPAÑALES  
 BABY CHANGING STATIONS

PAPELERAS  
 WASTEPAPER BINS

ACCESORIOS DE BAÑO  
 WASHROOM ACCESSORIES

DOSIFICADORES DE JABÓN  
 SOAP DISPENSERS

DISPENSADORES DE PAPEL  
 PAPER DISPENSERS

SECADORES DE PELO  
 HAIR DRYERS

SECAMANOS  
 HAND DRYERS

EXTERMINADORES DE INSECTOS  
 INSECT KILLERS

GRIFERÍA TEMPORIZADA  
 TIMED TAPS

LAVAJOS Y DUCHAS  
 EYE WASHERS & SHOWERS

AYUDA A LA MOVILIDAD  
 MOBILITY SUPPORT

FUENTES DE AGUA  
 WATER DISPENSERS

MUEBLES COMPACTOS  
 COMPACT FURNITURE

SANITARIOS  
 SANITARY PRODUCTS



**BARRA DE NYLON FIJA 3 ANCLAJES DERECHA**  
*FIXED NYLON GRAB BAR WITH 3 ANCHORINGS RIGHT*

**Ref. GW11 33 09 00**  
 Medidas / Measurements 600 mm



**BARRA DERECHA DE NYLON FIJA 3 ANCLAJES IZQUIERDA**  
*FIXED NYLON GRAB BAR WITH 3 ANCHORINGS LEFT*

**Ref. GW11 34 09 00**  
 Medidas / Measurements 600 mm



**BARRA DE DUCHA A PARED**  
*WALL TO WALL SHOWER BAR*

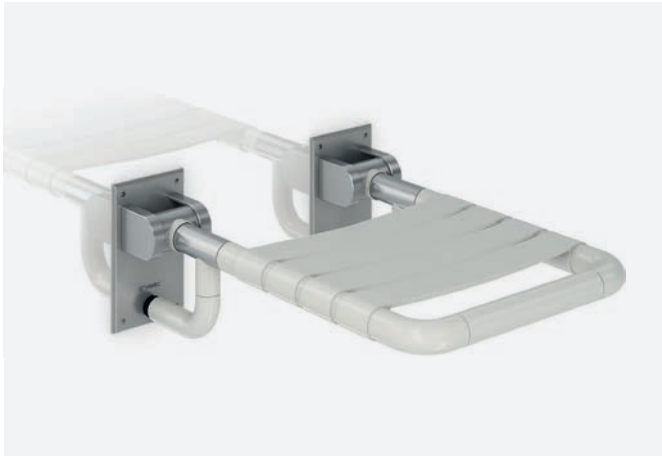
**Ref. GW11 35 09 00**  
 Medidas / Measurements 600 mm  
 L1 - 375 mm.  
 L2 - 438 mm.  
 L3 - 800 mm  
 L4 - 900 mm.



**BARRA PARED-PARED EN NYLON**  
*WALL TO WALL NYLON ANGLED BAR*

**Ref. GW11 36 09 00**  
 Medidas / Measurements 815 x 815 mm





**ASIENTO ABATIBLE PARA DUCHA DE NYLON**  
*FOLDING NYLON SHOWER SEAT*

**Ref. GW11 38 09 00**  
 Medidas / Measurements 480 x 320 mm



**ASIENTO DUCHA NYLON PARA ENGANCHAR A BARRA**  
*NYLON SHOWER SEAT TO HANG ON GRAB BAR*

**Ref. GW11 61 09 00**  
 Medidas / Measurements 320 x 390 x 490 mm



**BARRA DE NYLON DE 90°**  
*90° ANGLE NYLON GRAB BAR*

**Ref. GW11 62 09 00**  
 Nylon  
 Barra vertical 600 mm / Vertical bar 600 mm  
 Barra horizontal 400 mm / Horizontal bar 400 mm  
 Medidas / Measurements 600 x 400 mm



**ASIENTO DE DUCHA ABATIBLE DE NYLON + ACERO**  
**INOXIDABLE 304 CON PATA**  
*NYLON + AISI 304 STAINLESS STEEL FOLDING SHOWER SEAT WITH LEG*

**Ref. GW11 39 09 00**  
 Medidas / Measurements 405 x 320 mm

SECAMANOS  
 HAND DRYERS

SECADORES DE PELO  
 HAIR DRYERS

DISPENSADORES DE PAPEL  
 PAPER DISPENSERS

DOSIFICADORES DE JABÓN  
 SOAP DISPENSERS

ACCESORIOS DE BAÑO  
 WASHROOM ACCESSORIES

PAPELERAS  
 WASTE PAPER BINS

CAMBIAPANALES  
 BABY CHANGING STATIONS

SANITARIOS  
 SANITARY PRODUCTS

MUEBLES COMPACTOS  
 COMPACT FURNITURE

FUENTES DE AGUA  
 WATER DISPENSERS

AYUDA A LA MOVILIDAD  
 MOBILITY SUPPORT

LAVAJOS Y DUCHAS  
 EYE WASHERS & SHOWERS

GRIFERIA TEMPORIZADA  
 TIMED TAPS

EXTERMINADORES DE INSECTOS  
 INSECT KILLERS



**ASIENTO DE NYLON PARA DUCHA**  
*NYLON SHOWER SEAT*

**Ref. GW11 40 09 00**

**Medidas / Measurements** 500 x 500 x 350 mm



**ESPEJO RETRÁCTIL DE NYLON**  
*NYLON RETRACTABLE MIRROR*

**Ref. GW11 41 09 00**

**Medidas / Measurements** 500 x 500 mm



**TOALLERO NYLON**  
*NYLON TOWEL BAR*

**Ref. GW11 37 09 00**

**Medidas / Measurements** 500 mm



**WC ERGONÓMICO EN PORCELANA**  
*ERGONOMIC WC IN CHINESE PORCELAIN*

**Ref. GW11 42 07 00**

Salida a suelo / Floor outlet

Medidas / Measurements 490 x 380 x 520 mm

**Ref. GW11 43 07 00**

Salida a pared / Wall outlet

Medidas / Measurements 490 x 380 x 520 mm



**ASIENTO ERGONÓMICO**  
*ERGONOMIC SEAT*

**Ref. GW11 47 01 00**

Asiento ergonómico para GW11.42 y GW11.43

*Ergonomic seat for GW11.42 & GW11.43*

Medidas / Measurements 25 x 380 x 455 mm

**Ref. GW11 63 01 00**

Asiento ergonómico para GW11.44

*Ergonomic seat for GW11.44*

Medidas / Measurements 25 x 380 x 455 mm



**INODORO SUSPENDIDO EN PORCELANA**  
*WALL HANGING WC IN CHINESE PORCELAIN*

**Ref. GW11 44 07 00**

Medidas / Measurements 360 x 370 x 550 mm



**ASIENTO UNIVERSAL CON ELEVACIÓN DE 10 CM**  
*UNIVERSAL 10 CM RAISED TOILET SEAT*

**Ref. GW11 73 01 00**

Duroplast

SECAMANOS  
HAND DRYERS

SECADORES DE PELO  
HAIR DRYERS

DISPENSADORES DE PAPEL  
PAPER DISPENSERS

DISPENSADORES DE JABÓN  
SOAP DISPENSERS

ACCESORIOS DE BAÑO  
WASHROOM ACCESSORIES

PAPELERAS  
WASTE PAPER BINS

CAMBIAPANALES  
BABY CHANGING STATIONS

SANITARIOS  
SANITARY PRODUCTS

MUEBLES COMPACTOS  
COMPACT FURNITURE

FUENTES DE AGUA  
WATER DISPENSERS

AYUDA A LA MOVILIDAD  
MOBILITY SUPPORT

LAVAJOS Y DUCHAS  
EYE WASHERS & SHOWERS

GRIFERÍA TEMPORIZADA  
TIMED TAPS

EXTERMINADORES DE INSECTOS  
INSECT KILLERS



**CISTERNA EN ABS**  
*ABS CISTERN*

---

**Ref. GW11 48 01 00**

**Cisterna en ABS con mando neumático de encastre a pared**

*ABS cistern with recessed pneumatic flush on wall*

**Con mando neumático de encastre**

*With recessed pneumatic flush*

**Medidas / Measurements 410 x 400 x 160 mm**

**Ref. GW11 64 01 00**

**Cisterna en ABS con mando neumático en cisterna**

*ABS cistern with pneumatic flush on cistern*

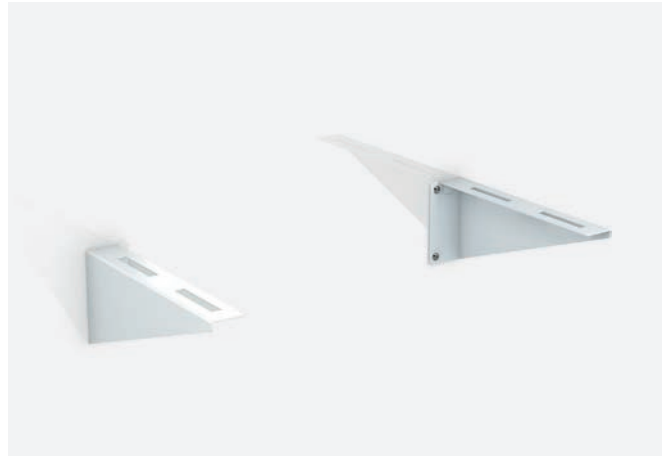
**Con mando neumático externo / With external pneumatic flush**

**Medidas / Measurements 410 x 400 x 160 mm**



**LAVABO ERGONÓMICO EN PORCELANA**  
*ERGONOMIC WASHBASIN IN CHINESE PORCELAIN*

**Ref. GW11 49 07 00**  
 Medidas / Measurements 150 x 650 x 570 mm



**MÉNSULA FIJA PARA LAVABO CERÁMICO**  
*FIXED BRACKETS FOR WASHBASIN*

**Ref. GW11 50 03 00**  
 Medidas / Measurements 140 x 555 x 360 mm



**MÉNSULA CON INCLINACIÓN MANUAL PARA LAVABO CERÁMICO**  
*MANUAL RECLINING MECHANISM FOR WASHBASIN*

**Ref. GW11 51 03 00**  
 Medidas / Measurements 145 x 574 x 385 mm



**MÉNSULA CON MANDO NEUMÁTICO PARA LAVABO CERÁMICO**  
*PNEUMATIC RECLINING MECHANISM FOR WASHBASIN*

**Ref. GW11 52 03 00**  
 Medidas / Measurements 145 x 574 x 385 mm

SECAMANOS  
HAND DRYERS

SECADORES DE PELO  
HAIR DRYERS

DISPENSADORES DE PAPEL  
PAPER DISPENSERS

DISPENSADORES DE JABÓN  
SOAP DISPENSERS

ACCESORIOS DE BAÑO  
WASHROOM ACCESSORIES

PAPELERAS  
WASTEPAPER BINS

CAMBIAPAÑALES  
BABY CHANGING STATIONS

SANITARIOS  
SANITARY PRODUCTS

MUEBLES COMPACTOS  
COMPACT FURNITURE

FUENTES DE AGUA  
WATER DISPENSERS

AYUDA A LA MOVILIDAD  
MOBILITY SUPPORT

LAVAJOS Y DUCHAS  
EYE WASHERS & SHOWERS

GRIFERÍA TEMPORIZADA  
TIMED TAPS

EXTERNADORES DE INSECTOS  
INSECT KILLERS



**SIFÓN FLEXIBLE**  
*FLEXIBLE DRAINAGE SIPHON*

Ref. GW11 53 01 00



**GRIFO MONOMANDO MEZCLADOR**  
*MEDICAL SINGLE-LEVER MIXER*

Ref. GW11 54 06 02  
Medidas / Measurements 207 x 55 x 184 mm



**PLATO DE DUCHA EN VITRORRESINA**  
*BUILT-IN FIBERGLASS SHOWER PAN*

Ref. GW11 58 12 00  
Medidas / Measurements 800 x 800 mm

Ref. GW11 59 12 00  
Medidas / Measurements 900 x 900 mm



**SIFÓN DE DESCARGA DE LATÓN 1" 1/4**  
*BUILT-IN DRAIN SIPHON IN BRASS 1" 1/4*

Ref. GW11 65 06 02  
para GW11.58 y GW11.59 / for GW11.58 y GW11.59



**ESPEJO BASCULANTE CON MARCO DE ALUMINIO PINTADO EN BLANCO**  
*TILTING MIRROR WITH WHITE PAINTED ALUMINIUM FRAME*

**Ref. GW11 66 02 00**  
 Medidas / Measurements 600 x 500 mm



**ESPEJO CON MARCO DE ACERO INOXIDABLE 304**  
*MIRROR WITH AISI 304 STAINLESS STEEL FRAME*

**Ref. GW11 69 04 01**  
 Acabado satinado / Brushed finish  
 Medidas / Measurements 700 x 500 mm

**Ref. GW11 70 04 01**  
 Acabado satinado / Brushed finish  
 Medidas / Measurements 800 x 600 mm



**KIT PARA RECLINAR ESPEJO**  
*TILTING KIT FOR MIRROR*

**Ref. GW11 71 04 01**  
 para GW11.69 / for GW11.69  
 Medidas / Measurements 50 x 494 x 80 mm

**Ref. GW11 72 04 01**  
 para GW11.70 / for GW11.70  
 Medidas / Measurements 50 x 594 x 80 mm

SECAMANOS  
HAND DRYERS

SECADORES DE PELO  
HAIR DRYERS

DISPENSADORES DE PAPEL  
PAPER DISPENSERS

DOSIFICADORES DE JABÓN  
SOAP DISPENSERS

ACCESORIOS DE BAÑO  
WASHROOM ACCESSORIES

PAPELERAS  
WASTE PAPER BINS

CAMBIAPAÑALES  
BABY CHANGING STATIONS

SANITARIOS  
SANITARY PRODUCTS

MUEBLES COMPACTOS  
COMPACT FURNITURE

FUENTES DE AGUA  
WATER DISPENSERS

AYUDA A LA MOVILIDAD  
MOBILITY SUPPORT

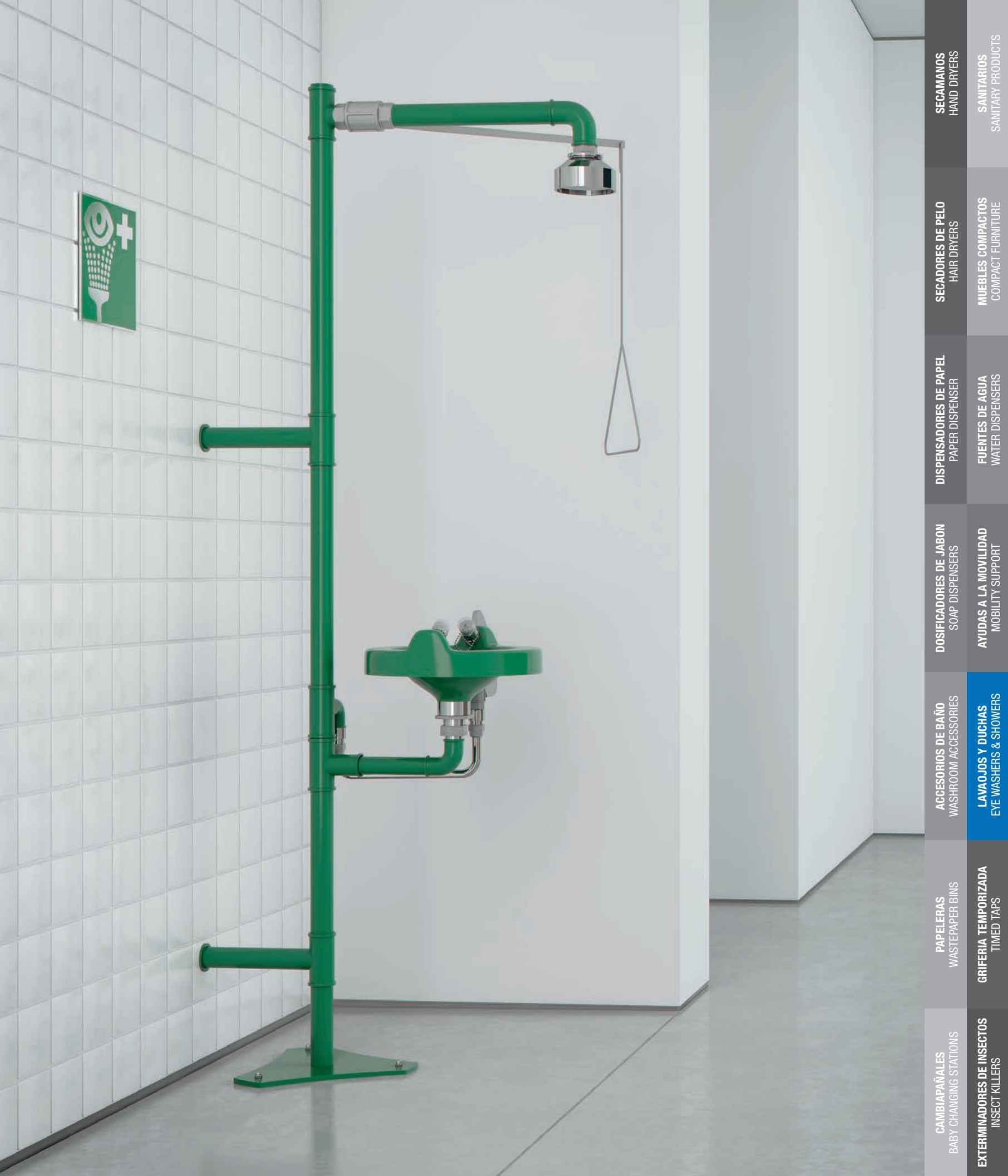
LAVAJOS Y DUCHAS  
EYE WASHERS & SHOWERS

GRIFERÍA TEMPORIZADA  
TIMED TAPS

EXTERMINADORES DE INSECTOS  
INSECT KILLERS

**Lavaojos y duchas  
de emergencia**  
*Eye washers &  
emergency showers*





**CAMBIAPANALES**  
BABY CHANGING STATIONS

**EXTERNADORES DE INSECTOS**  
INSECT KILLERS

**PAPELERAS**  
WASTE PAPER BINS

**GRIFERIA TEMPORIZADA**  
TIMED TAPS

**ACCESORIOS DE BAÑO**  
WASHROOM ACCESSORIES

**LAVAJOS Y DUCHAS**  
EYE WASHERS & SHOWERS

**DOSIFICADORES DE JABON**  
SOAP DISPENSERS

**AYUDAS A LA MOVILIDAD**  
MOBILITY SUPPORT

**DISPENSADORES DE PAPEL**  
PAPER DISPENSER

**FUENTES DE AGUA**  
WATER DISPENSERS

**SECADORES DE PELO**  
HAIR DRYERS

**MUEBLES COMPACTOS**  
COMPACT FURNITURE

**SECAMANOS**  
HAND DRYERS

**SANITARIOS**  
SANITARY PRODUCTS



**LAVAOJOS MURAL**  
WALL MOUNTED EYE WASHER

Ref. GW12 01 03 05

Accionamiento mediante palanca lateral

*Operated by lateral push lever*

Recogedor en polipropileno / Polypropilene bowl



Ref. GW12 01 04 05

Accionamiento mediante palanca lateral

*Operated by lateral push lever*

Recogedor en acero inoxidable / Stainless steel bowl



**LAVAOJOS CON PEDESTAL A SUELO**  
FLOOR STANDING EYE WASHER

Ref. GW12 02 03 05

Accionamiento mediante palanca lateral

*Operated by lateral push lever*

Recogedor en polipropileno / Polypropilene bowl



Ref. GW12 02 04 05

Accionamiento mediante palanca lateral

*Operated by lateral push lever*

Recogedor en acero inoxidable / Stainless steel bowl



#### CARACTERÍSTICAS / FEATURES

Lava-ojos en ABS de alta resistencia y metacrilato anti UV. / Eyes-washing in high resistance ABS and anti-UV methacrylate.

Reductor automático de caudal para obtener un suministro constante de 11 l/min. con presiones entre 1 y 9 bar.

*Automatic flow-rate reducer to get a constant supply of 11 l/min. under pressures from 1 to 9 bar.*



**LAVAJOS CON PEDESTAL A SUELO**  
**FLOOR STANDING EYE WASHER**

**Ref. GW12 03 03 05**

Accionamiento mediante palanca lateral o pedal

*Operated by lateral push lever or foot pedal*

Recogedor en polipropileno / Polypropilene bowl



**Ref. GW12 03 04 05**

Accionamiento mediante palanca lateral o pedal

*Operated by lateral push lever or foot pedal*

Recogedor en acero inoxidable / Stainless steel bowl



CAMBIAPANALES  
 BABY CHANGING STATIONS  
 EXTERMINADORES DE INSECTOS  
 INSECT KILLERS

PAPELERAS  
 WASTE PAPER BINS  
 GRIFERÍA TEMPORIZADA  
 TIMED TAPS

ACCESORIOS DE BAÑO  
 WASHROOM ACCESSORIES  
**LAVAJOS Y DUCHAS**  
**EYE WASHERS & SHOWERS**

DOSIFICADORES DE JABÓN  
 SOAP DISPENSERS  
 AYUDA A LA MOVILIDAD  
 MOBILITY SUPPORT

DISPENSADORES DE PAPEL  
 PAPER DISPENSERS  
 FUENTES DE AGUA  
 WATER DISPENSERS

SECADORES DE PELO  
 HAIR DRYERS  
 MUEBLES COMPACTOS  
 COMPACT FURNITURE

SECAMANOS  
 HAND DRYERS  
 SANITARIOS  
 SANITARY PRODUCTS



**COMBINACIÓN DE DUCHA Y LAVAOJOS**  
*SHOWER AND EYE WASHER COMBINATION*

**Ref. GW12 04 03 05**

**Combinación de ducha y lavaojos**

*Shower and eye washer combination*

**Accionamiento de ducha mediante tirador triangular**

*Shower operated by triangular handle*

**Accionamiento de lavaojos mediante palanca lateral**

*Eye washer operated by lateral push lever*

**Recogedor y rociador en polipropileno**

*Polypropilene bowl and shower head*



**Ref. GW12 04 04 05**

**Combinación de ducha y lavaojos**

*Shower and eye washer combination*

**Accionamiento de ducha mediante tirador triangular**

*Shower operated by triangular handle*

**Accionamiento de lavaojos mediante palanca lateral**

*Eye washer operated by lateral push lever*

**Recogedor y rociador en acero inoxidable**

*Stainless steel bowl and shower head*



**COMBINACIÓN DE DUCHA Y LAVAOJOS**  
*SHOWER AND EYE WASHER COMBINATION*

**Ref. GW12 05 03 05**

**Accionamiento de ducha mediante tirador triangular**

*Shower operated by triangular handle*

**Accionamiento de lavaojos mediante palanca lateral o pedal**

*Eye washer operated by lateral push lever o pedal*

**Recogedor y rociador en polipropileno**

*Polypropilene bowl and shower head*



**Ref. GW12 05 04 05**

**Accionamiento de ducha mediante tirador triangular**

*Shower operated by triangular handle*

**Accionamiento de lavaojos mediante palanca lateral o pedal**

*Eye washer operated by lateral push lever o pedal*

**Recogedor y rociador en acero inoxidable**

*Stainless steel bowl and shower head*



**CARACTERÍSTICAS / FEATURES**

**Rociador anti-cal en latón cromado.**

*Anti-scale shower head in chrome-plated brass.*

**Descarga automática de 120 l/min. a 1 bar.**

*Automatic drain of 120 l/min. at 1 bar.*

**Lava-ojos en ABS de alta resistencia y metacrilato anti UV.**

*Eyes-washing in high resistance ABS and anti-UV methacrylate.*

**Reductor automático de caudal para obtener un suministro constante de 11 l/min. con presiones entre 1 y 9 bar.**

*Automatic flow-rate reducer to get a constant supply of 11 l/min. under pressures from 1 to 9 bars.*



# **Grifería temporizada**

## *Timed taps*



**CAMBIAPANALES**  
BABY CHANGING STATIONS

**EXTERMINADORES DE INSECTOS**  
INSECT KILLERS

**PAPELERAS**  
WASTE/PAPER BINS

**GRIFERIA TEMPORIZADA**  
TIMED TAPS

**ACCESORIOS DE BAÑO**  
WASHROOM ACCESSORIES

**LAVAOJOS Y DUCHAS**  
EYE WASHERS & SHOWERS

**DOSIFICADORES DE JABON**  
SOAP DISPENSERS

**AYUDAS A LA MOVILIDAD**  
MOBILITY SUPPORT

**DISPENSADORES DE PAPEL**  
PAPER DISPENSER

**FUENTES DE AGUA**  
WATER DISPENSERS

**SECADORES DE PELO**  
HAIR DRYERS

**MUEBLES COMPACTOS**  
COMPACT FURNITURE

**SECAMANOS**  
HAND DRYERS

**SANITARIOS**  
SANITARY PRODUCTS



**GRIFO TEMPORIZADO LAVABO ENCIMERA**  
*COUNTERTOP TIMED WASHBASIN TAP*

**Ref. GW13 01 06 02**

Temporización de 12 a 14 segundos

*Timing of 12-14 seconds*

**Caudal mínimo: 12 l/min (3 bar)**

*Minimum flow rate: 12l/min (3 bar)*



**GRIFO TEMPORIZADO URINAL MURAL**  
*WALL MOUNTED TIMED URINAL TAP*

**Ref. GW13 02 06 02**

Temporización de 5 a 7 segundos

*Timing of 5-7 seconds*

**Caudal mínimo: 6 l/min (3 bar) / Minimum flow rate: 6l/min (3 bar)**



**GRIFO TEMPORIZADO LAVABO MURAL**  
*WALL MOUNTED TIMED WASHBASIN TAP*

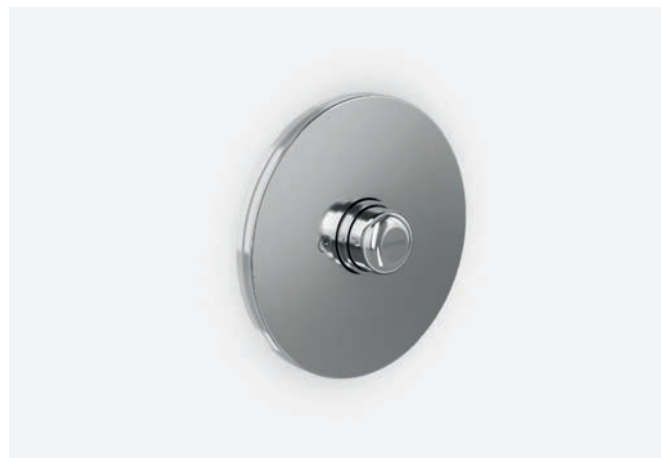
**Ref. GW13 03 06 02**

Temporización de 12 a 14 segundos

*Timing of 12-14 seconds*

**Caudal mínimo: 12 l/min (3 bar)**

*Minimum flow rate: 12l/min (3 bar)*



**GRIFO TEMPORIZADO URINARIO EMPOTRADO**  
*BUILT-IN TIMED URINAL TAP*

**Ref. GW13 04 06 02**

Temporización de 5 a 7 segundos

*Timing of 5-7 seconds*

#### **CARACTERÍSTICAS / FEATURES**

Cuerpo y florón realizados en latón según UNE-EN 1982 / *Body and cover made in brass according to UNE-EN 1982.*

Cromado según EN 248 / *Chrome plated according to EN 248*





**GRIFO TEMPORIZADO DUCHA EMPOTRADA**  
*BUILT-IN TIMED SHOWER TAP*

**Ref. GW13 05 06 02**  
 Temporización de 25 a 30 segundos  
*Timing of 25-30 seconds*



**ROCIADOR PARA DUCHA ANTIVANDÁLICO CON RÓTULA**  
*ANTI-VANDALISM SHOWER SPRAYER WITH BALL*

**Ref. GW13 09 06 02**  
 Caudal consante: 7 l/min / *Constant flow rate: 7 l/min*



**ACCESORIO PARA URINARIO CURVO**  
*CURVED URINAL CONNECTOR*

**Ref. GW13 08 06 02**  
 Largo / *Long 15,5 cm*



**ACCESORIO PARA URINARIO RECTO**  
*STRAIGHT URINAL CONNECTOR*

**Ref. GW13 06 06 02**  
 Largo / *Long 15,5 cm*

**Ref. GW13 07 06 02**  
 Largo / *Long 40 cm*

**CARACTERÍSTICAS / FEATURES**

Cuerpo y florón realizados en latón según UNE-EN 1982 / *Body and cover made in brass according to UNE-EN 1982*  
 Cromado según EN 248 / *Chrome plated according to EN 248*

SECAMANOS  
 HAND DRYERS

SECADORES DE PELO  
 HAIR DRYERS

DISPENSADORES DE PAPEL  
 PAPER DISPENSERS

DOSIFICADORES DE JABÓN  
 SOAP DISPENSERS

ACCESORIOS DE BAÑO  
 WASHROOM ACCESSORIES

PAPELERAS  
 WASTE PAPER BINS

CAMBIAPANALES  
 BABY CHANGING STATIONS

SANITARIOS  
 SANITARY PRODUCTS

MUEBLES COMPACTOS  
 COMPACT FURNITURE

FUENTES DE AGUA  
 WATER DISPENSERS

AYUDA A LA MOVILIDAD  
 MOBILITY SUPPORT

LAVAJOS Y DUCHAS  
 EYE WASHERS & SHOWERS

GRIFERIA TEMPORIZADA  
 TIMED TAPS

EXTERMINADORES DE INSECTOS  
 INSECT KILLERS

**Exterminadores de insectos**  
*Insect killers*



**CAMBIAPÁÑALES**  
BABY CHANGING STATIONS

**EXTERNADORES DE INSECTOS**  
INSECT KILLERS

**PAPELERAS**  
WASTEPAPER BINS

**GRIFERIA TEMPORIZADA**  
TIMED TAPS

**ACCESORIOS DE BAÑO**  
WASHROOM ACCESSORIES

**LAVAOJOS Y DUCHAS**  
EYE WASHERS & SHOWERS

**DISFICADORES DE JABON**  
SOAP DISPENSERS

**AYUDAS A LA MOVILIDAD**  
MOBILITY SUPPORT

**DISPENSADORES DE PAPEL**  
PAPER DISPENSER

**FUENTES DE AGUA**  
WATER DISPENSERS

**SECADORES DE PELO**  
HAIR DRYERS

**MUEBLES COMPACTOS**  
COMPACT FURNITURE

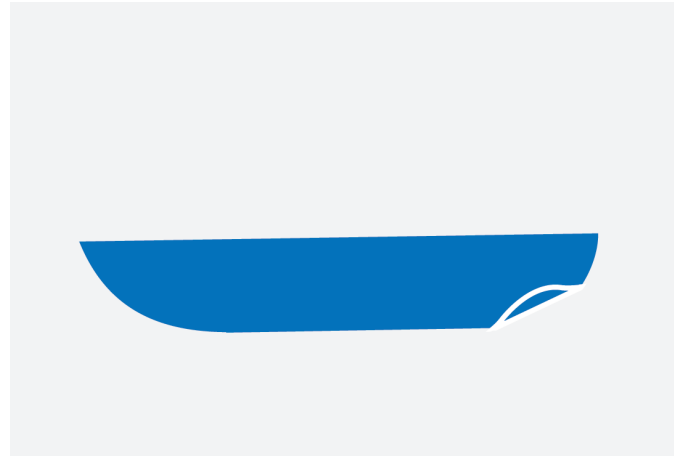
**SECAMANOS**  
HAND DRYERS

**SANITARIOS**  
SANITARY PRODUCTS



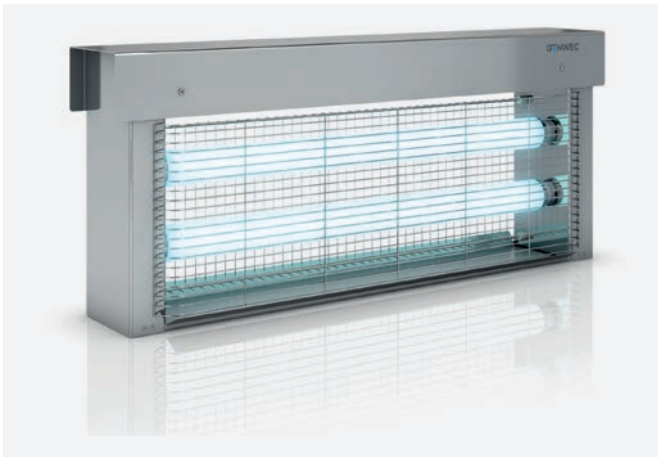
**EXTERMINADOR DE INSECTOS MEDIANTE LÁMINA ADHESIVA 15 W**  
*GLUEBOARD INSECT KILLER 15 W*

**Ref. GW14 01 03 00**  
 Cobertura / Coverage 90 m<sup>2</sup>  
 Medidas / Measurements 170 x 535 x 110 mm



**RECAMBIO ADHESIVO PARA GW14 01 (4 UNIDADES)**  
*REPLACEMENT GLUEBOARD FOR GW14 01 (4 UNITS)*

**Ref. GW14 02 01 00**



**EXTERMINADOR DE INSECTOS 2 X 4 W**  
*2 X 4 W INSECT KILLER*

**Ref. GW14 04 04 02**  
 Acero inoxidable 304 / AISI 304 stainless steel  
 Cobertura de día / Day coverage 859 m<sup>2</sup>  
 Cobertura de noche / Night coverage 1,310 m<sup>2</sup>  
 Medidas / Measurements 305 x 715 x 125 mm



**EXTERMINADOR DE INSECTOS 2 X 11 W**  
*2 X 11 W KILLER*

**Ref. GW14 03 04 02**  
 Acero inoxidable 304 / AISI 304 stainless steel  
 Cobertura de día / Day coverage 180 m<sup>2</sup>  
 Cobertura de noche / Night coverage 375 m<sup>2</sup>  
 Medidas / Measurements 285 x 275 x 100 mm





# Información adicional

## *Additional information*

CAMBIAPANALES  
BABY CHANGING STATIONS

PAPELERAS  
WASTE PAPER BINS

ACCESORIOS DE BAÑO  
WASHROOM ACCESSORIES

DOSIFICADORES DE JABON  
SOAP DISPENSERS

DISPENSADORES DE PAPEL  
PAPER DISPENSERS

SECADORES DE PELO  
HAIR DRYERS

SECAMANOS  
HAND DRYERS

EXTERMINADORES DE INSECTOS  
INSECT KILLERS

GRIFERIA TEMPORIZADA  
TIMED TAPS

LAVAJOS Y DUCHAS  
EYE WASHERS & SHOWERS

AYUDAS A LA MOVILIDAD  
MOBILITY SUPPORT

FUENTES DE AGUA  
WATER DISPENSERS

MUEBLES COMPACTOS  
COMPACT FURNITURE

SANITARIOS  
SANITARY PRODUCTS

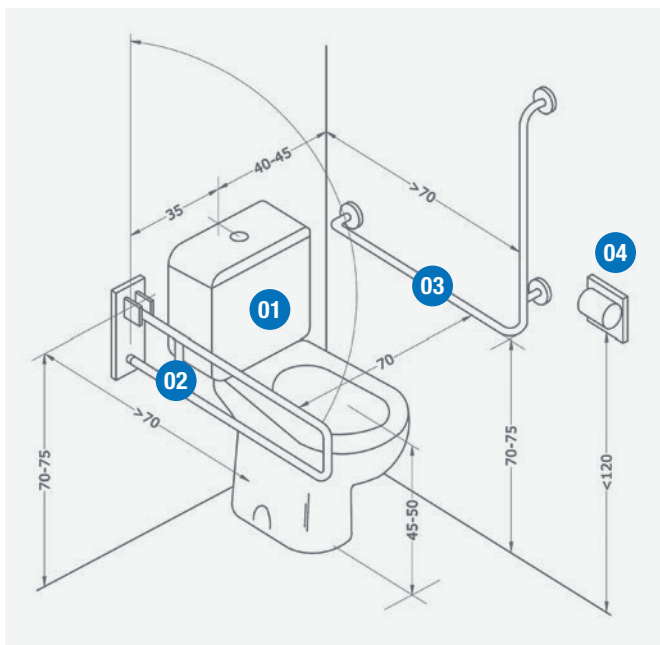
# Normativa española para la ayuda a la accesibilidad

## Spanish regulation for disabled aids

### NORMATIVA ESPAÑOLA PARA LA AYUDA A LA ACCESIBILIDAD

Con fecha 1 de marzo de 2010 entró en vigor el Real Decreto 173/2010 así como de su documento básico SUA (Seguridad y Accesibilidad) y que será de obligado cumplimiento a partir del 1 de enero de 2019.

### EJEMPLOS DE INSTALACIÓN:



#### UNO

- 01. Inodoro GW11 45 07 00

---

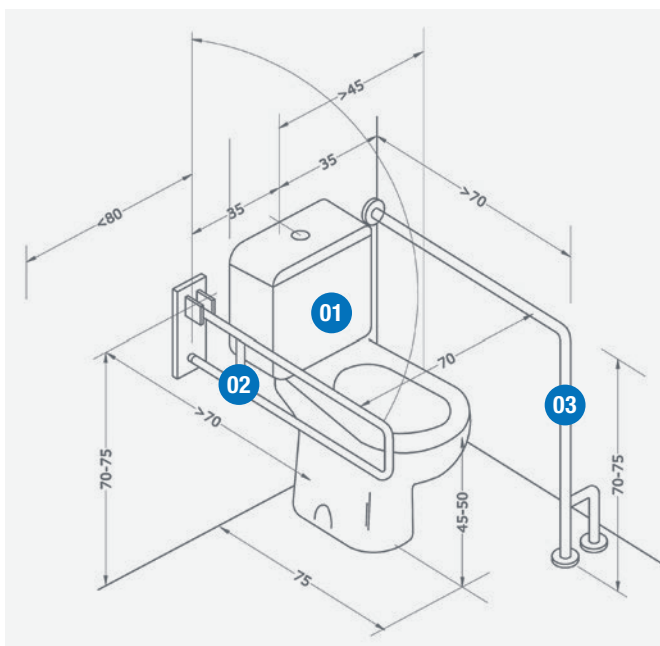
- 02. Barra abatible GW11 07 04 01

---

- 03. Barra GW11 17 04 01

---

- 04. Dispensador GW03 08 04 02



#### DOS

- 01. Inodoro GW11 45 07 00

---

- 02. Barra abatible GW11 07 04 01

---

- 03. Barra GW11 13 04 01



# Normativa española para la ayuda a la accesibilidad

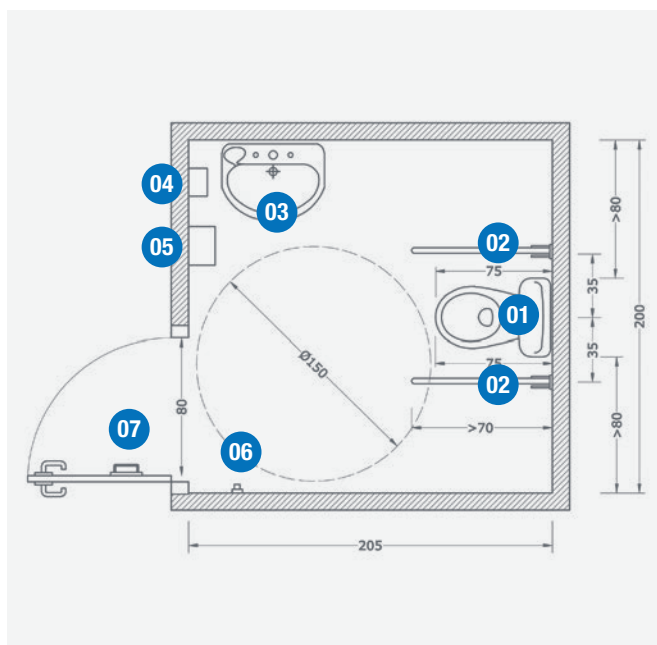
## Spanish regulation for disabled aids

### GENWEC SE ADELANTA EN SU DISEÑO Y FABRICACIÓN A ESTA EXIGENCIA

Para más información puede consultar en nuestra página web ([www.genwec.com](http://www.genwec.com)) donde encontrarán un resumen y asesoramiento para cumplir las exigencias básicas de seguridad, de utilización y accesibilidad.

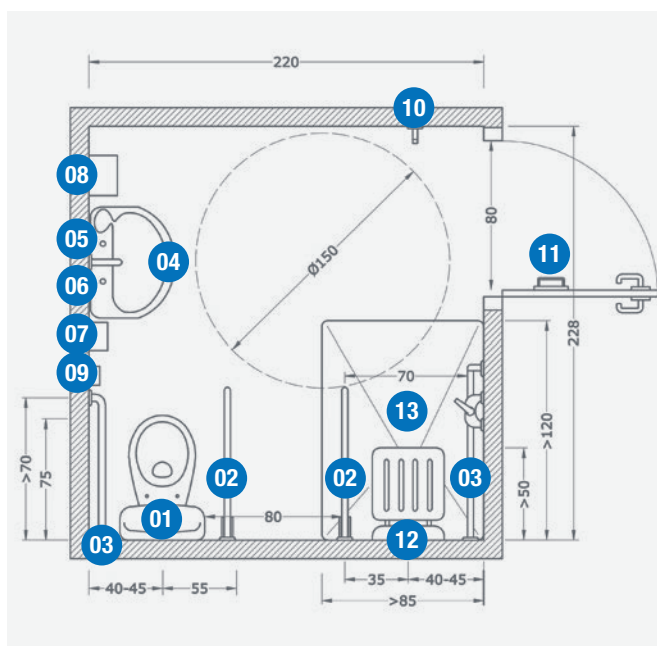
#### TRES

01. Inodoro GW11 45 07 00
02. Barra abatible GW11 07 04 01
03. Lavamanos GW11 49 07 00
04. Dosificador GW04 03 04 01
05. Secadora de manos GW01 14 04 01
06. Percha GW05 01 04 01
07. Manillón GW11 22 04 01



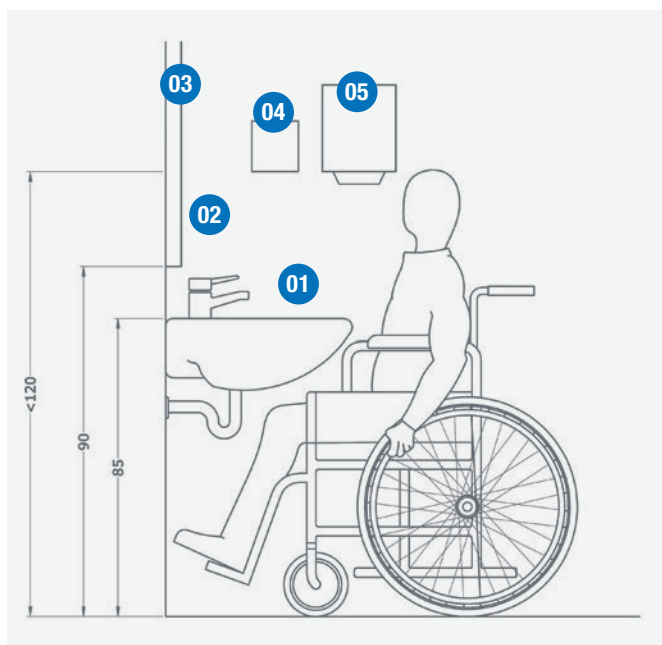
#### CUATRO

01. Inodoro GW11 45 07 00
02. Barra abatible GW11 07 04 01
03. Barra GW11 17 04 01
04. Lavamanos GW11 49 07 00
05. Grifo GW11 54 06 02
06. Espejo GW11 66 02 00
07. Dosificador GW04 03 04 01
08. Secadora de manos GW01 14 04 01
09. Dispensador GW03 08 04 02
10. Percha GW05 01 04 01
11. Manillón GW11 22 04 01
12. Asiento GW11 23 04 01
13. Plato de ducha GW11 59 12 00



# Normativa española para la ayuda a la accesibilidad

Spanish regulation for disabled aids



## CINCO

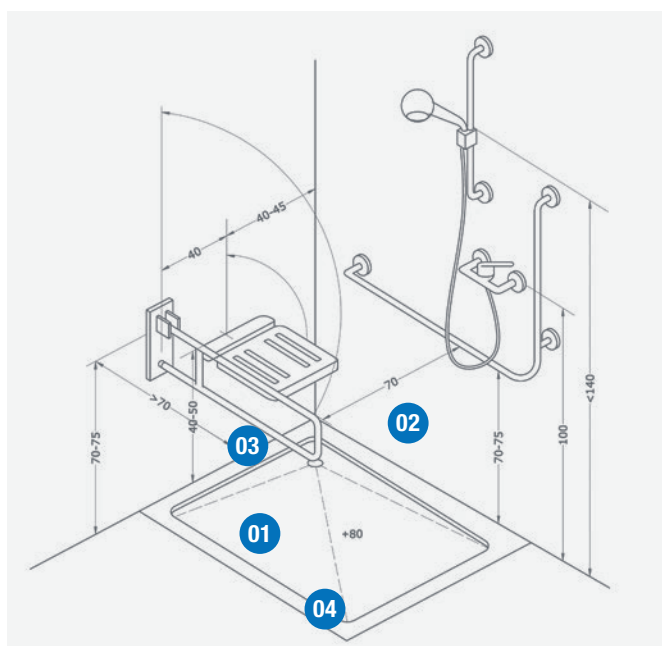
01. Lavamanos GW11 49 07 00

02. Grifo GW11 54 06 02

03. ESpejo GW11 66 02 00

04. Dosificador GW04 03 04 01

05. Secadora de manos GW01 14 04 01



## SEIS

01. Barra abatible GW11 07 04 01

02. Barra GW11 17 04 01

03. Asiento GW11 23 04 01

04. Plato de ducha GW11 59 12 00

# Limpieza y mantenimiento del acero inoxidable

## *Stainless steel maintenance and cleaning*

El acero inoxidable es un acero bajo en carbono y con un mínimo de contenido del 10% de cromo. El cromo da al acero propiedades únicas en cuanto a anti-corrosión frente a la mayoría de productos químicos.

A pesar de ser muy resistente a la corrosión, el mantenimiento incorrecto del acero inoxidable puede oxidarlo o decolorarlo. Es muy importante una limpieza regular con jabón no agresivo y agua, mediante el uso de un paño de algodón.

**Los productos que acabarán por corroer al acero inoxidable son los siguientes:**

- Las lejías y productos de limpieza a base de hipoclorito.
- Ácido muriático.
- Jabones concentrados.
- Agua con contenido alto en hierro.
- Contacto con materiales de hierro.
- Ácidos, desinfectantes concentrados, cloro y álcalis fuertes (sosa cáustica).

Muchas decoloraciones del acero inoxidable pueden ser eliminadas mediante el uso de jabones no agresivos o productos especiales para la limpieza del acero inoxidable. Sin embargo, el mantenimiento correcto del acero inoxidable garantiza la apariencia original.

*Stainless steel is a low carbon steel that contains at least 10% chromium. Chromium gives the steel its unique anti-corrosion properties.*

*Despite its corrosion resistance, the incorrect maintenance of stainless steel can cause corrosion and discoloration. A frequent cleaning with mild soap and water with a cotton cloth is required.*

*The following is a list of products that can eventually cause corrosion or discoloration of stainless steel:*

- *Chloride containing cleansers: This includes all products which contain a certain amount of bleach.*
- *Muriatic acid.*
- *Concentrated soap residue.*
- *Water with high iron content.*
- *Contact with iron materials.*
- *Acids, concentrated disinfectants, chlorine and strong alkaline products.*

*Most discolorations can be removed by using mild soap or products specially designed for stainless steel cleaning. However, the correct maintenance and cleaning, guarantees the original appearance indefinitely.*



# Condiciones generales de venta

## *General sales conditions*

CAMBIAPANALES  
BABY CHANGING STATIONS

PAPELERAS  
WASTE PAPER BINS

ACCESORIOS DE BAÑO  
WASHROOM ACCESSORIES

DOSIFICADORES DE JABON  
SOAP DISPENSERS

DISPENSADORES DE PAPEL  
PAPER DISPENSERS

SECADORES DE PELO  
HAIR DRYERS

SECAMANOS  
HAND DRYERS

EXTERMINADORES DE INSECTOS  
INSECT KILLERS

GRIFERIA TEMPORIZADA  
TIMED TAPS

LAVAJOS Y DUCHAS  
EYE WASHERS & SHOWERS

AYUDAS A LA MOVILIDAD  
MOBILITY SUPPORT

FUENTES DE AGUA  
WATER DISPENSERS

MUEBLES COMPACTOS  
COMPACT FURNITURE

SANITARIOS  
SANITARY PRODUCTS

# Condiciones generales de venta

## *General sales conditions*

### CONDICIONES DE PAGO

En aplicación de la Ley 15/2010 que limita los plazos máximos de pago en las operaciones comerciales, hemos ajustado las condiciones a lo dispuesto en la misma. En caso de diferirse el pago, los gastos de negociación de efectos y/o los intereses legales especificados serán a cargo del comprador. El impago de cualquier efecto o recibo, conllevará la inmediata suspensión de suministros y servicios.

### PEDIDOS

Los pedidos deberán formalizarse mediante documento escrito. Cada pedido solicitado será confirmado por Genwec vía email/fax. Salvo notificación de lo contrario en las siguientes 24h, el pedido seguirá su curso sin derecho a posteriores reclamaciones.

### TARIFA DE PRECIOS

Genwec comunicará a sus clientes cualquier cambio que se produzca en las tarifas a través de alguna de las vías de comunicación usuales (web, email, correo).

### EXPEDICIONES

Todo pedido superior a 250 euros en Península se suministrará a portes pagados. Para Canarias, Ceuta, Melilla, Baleares y Andorra consultar condiciones.

### RECLAMACIONES Y DEVOLUCIONES

Las eventuales reclamaciones deben efectuarse dentro de los 15 días desde su entrega. No se aceptará ninguna devolución de material sin aprobación previa de nuestro Departamento Comercial que facilitará un número de boletín de devolución que debe acompañar al material devuelto. Todas las devoluciones serán con los portes a cargo del comprador. Y se realizará un cargo por demérito del 10% del valor de la mercancía.

No se aceptará devoluciones de producto personalizado, a medida o fuera de catálogo.

Las devoluciones deberán llevar su embalaje original, sin anotaciones ni etiquetas y con los accesorios de instalación completos.

### GARANTIA

Queda limitada a la legislación vigente. Salvo en aquellos productos que, por cortesía de Genwec; se hayan establecidos unos plazos superiores. Para estos casos será necesario haber cumplimentado el formulario que se adjunta en la página web.

### CATALOGO Y TARIFA

El catálogo y tarifa entran en vigor el 1 de mayo de 2017.

Genwec Washroom S.L. por motivos de política de mejora de sus productos, se reserva el derecho a modificar las características, especificaciones y precios en cualquier momento.

Genwec Washroom S.L. pone a su disposición la información técnica actualizada de todos sus productos en su página web [www.genwec.com](http://www.genwec.com)

### JURISDICCION

Serán únicamente competentes en caso de litigio, los tribunales de la provincia de Barcelona.

# Condiciones generales de venta

## General sales conditions

### **PAYMENT TERMS**

We have adjusted the conditions in application of Law 15/2010 which limits the maximum terms of payment in commercial transactions. The maximum delay on payment will be 60 days after invoice date. Payment term will be agreed between the parties. In case of unpaid, the expenses and interests incurred will be paid by the purchaser. The unpaid maturity will imply the complete suspension of any service or supply.

### **ORDERS**

Regarding the handling of any supply, it is compulsory for the purchaser to send a written signed and sealed purchasing order indicating clearly GENWEC's reference, including measurements digits and also the quantity required according to obligated minimum units of purchase (boxes). In case of discrepancies, GENWEC has the right to accept or cancel the pending orders. All the orders will be confirmed by GENWEC by e-mail/fax. Each confirmed order will be handled with no right from the purchaser to modify it, unless previous notification 24 hours after confirmation.

### **PRICE LIST**

GENWEC will inform the customers about any change in the price list, through normal communication means (web, e-mail or post).

### **PRODUCT WITHDRAWAL FROM CATALOGUE**

GENWEC will inform the customers about any product withdrawal from the catalogue.

### **SHIPMENT**

Goods are shipped under the purchaser's own risk, even in special cases.

### **DELIVERY**

Orders will always be shipped in full boxes.

### **CLAIMS**

Any claim must be made within 15 days after date of reception of the goods by the purchaser. Claims after such period will not be considered.

No returned will be accepted without the previous approval from our sales department, who will issue a return certificate that must be included in the returned goods. All returned freight will be paid by the purchaser.

### **GUARANTEE**

It is limited to defective pieces replacement identified by GENWEC Quality department. We will not accept any return after 15 days from the date of reception by the purchaser.

### **PROPERTY OF THE GOODS**

GENWEC has the property right of the supplied goods, until the purchaser has totally paid its value. In the meantime, it will be considered as deposit and custody. Goods shall be claimed in case of breach of payment terms.

### **CATALOGUE AND PRICE LIST**

The catalogue and price list come into force on May 1, 2017.

GENWEC WASHROOM S. L. for reasons of policy to improve their Products, reserves the right to modify features, specifications and prices at any time.

GENWEC WASHROOM S. L. offers updated technical information on all their products on their website [www.genwec.com](http://www.genwec.com)

**GENWEC**<sup>®</sup>  
WASHROOM EQUIPMENT & COMP.





**GENWEC**<sup>®</sup>  
WASHROOM EQUIPMENT & COMP.

Av. Joan Carles I, 46-48  
08908 L'Hospitalet de Llobregat. Barcelona (Spain)  
T. +34 936 018 040 - F. +34 936 018 041  
comercial@genwec.com - export@genwec.com  
[www.genwec.com](http://www.genwec.com)